

Cirrus 6.1



A ceiling loudspeaker for wide-coverage and simple installation



FREQUENCY RESPONSE¹

62 Hz – 20 kHz



MAXIMUM OUTPUT²

110 dB cont, 116 dB peak



NOMINAL DISPERSION

110°H x 110°V



POWER HANDLING

100 W AES

Galleries & Museums

Hotels & Resorts

Retail

Gyms & Fitness

Restaurants & Cafés

Residential

The Cirrus 6.1 is a ceiling loudspeaker designed to integrate cleanly into a wide range of spaces. Its coaxial design and wide conical 110° dispersion pattern provide even sound coverage, while the paintable enclosure allows it to blend seamlessly into different interiors.

The Cirrus 6.1 delivers balanced, full range sound with wide-coverage, helping maintain clarity across the listening area. Its design supports consistent performance in a variety of environments.

Designed for ease of installation, the Cirrus 6.1 includes quick and easy spring-loaded ceiling mounts and tile rail for fast and secure fitting. Flexible system options allow it to be used across a range of setups, making it suitable for both new installations and retrofit projects.

KEY FEATURES

6.5 inch low-frequency driver

0.75 inch coaxially mounted high-frequency driver

Internal 100V/70V line transformer

Selectable voltage taps and low-impedance setting

Phoenix connector with link-through capability for reliable hook ups

Wide conical 110° dispersion pattern

Paintable white ABS enclosure with zinc-plated back can

Quick and easy spring-loaded ceiling mounts and included tile rail

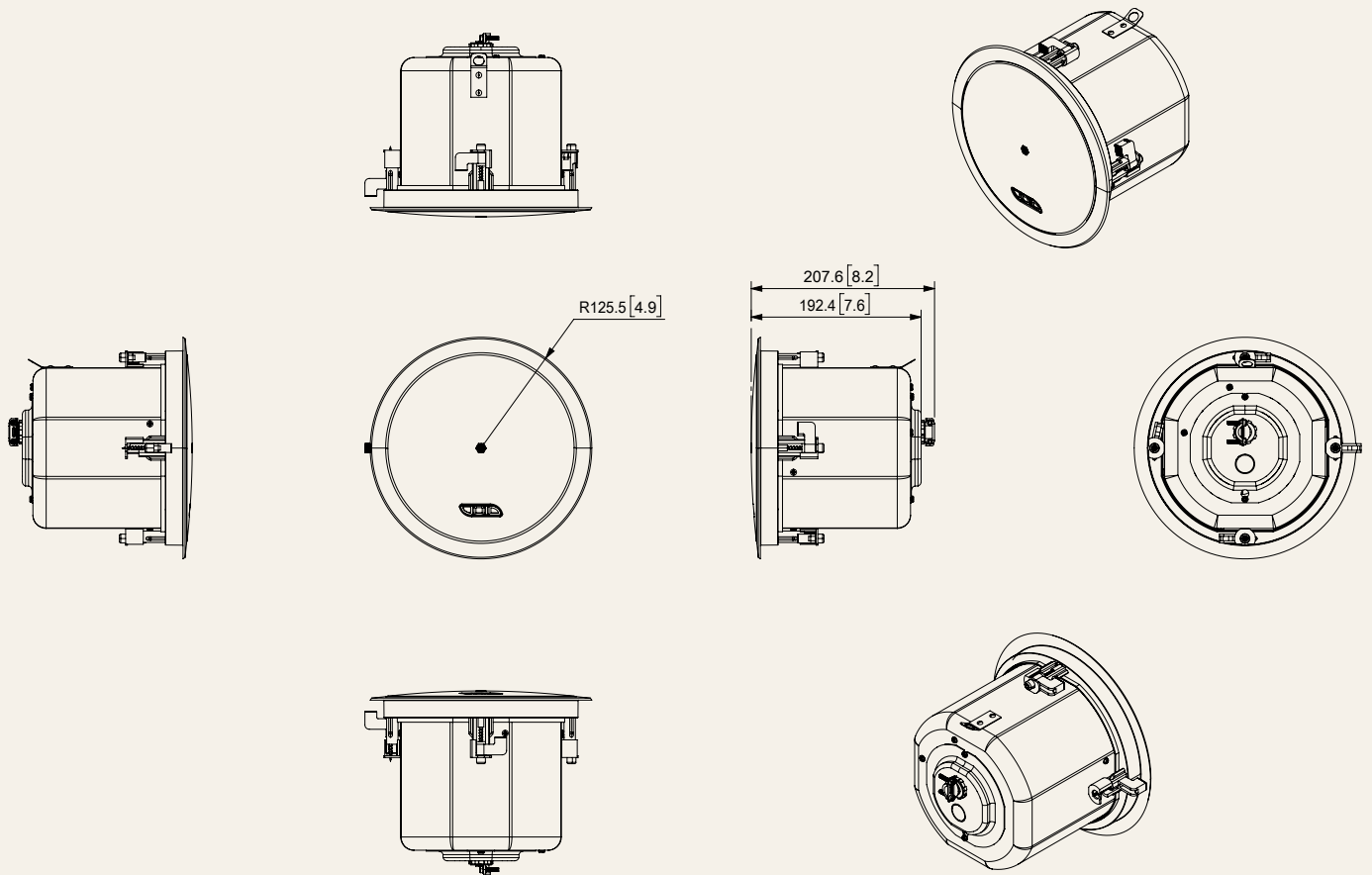
Discreet and minimalistic design

Available as standard in white with a white grille

SPECIFICATIONS

Frequency response¹	62 Hz – 20 kHz	Suggested Minimum Amplifier	Inca 500/Bias Q1+
Maximum Output²	110 dB cont, 116 dB peak	Weight	3.5 kg (7.7 lbs)
Nominal Dispersion	110°H x 110°V	Connections	Removable locking connector with screw-down terminals. Two input terminals and two loop-thru output terminals. Max wire 12 AWG (2.5 mm ²)
Sensitivity³	90 dB 1W/1m	Enclosure	ABS baffle
Driver Configuration	1 x 6.5" LF, 1 x 0.75" HF	Finish	Backing plate and tiles rails (included)
Power Handling	100 W AES		
Nominal Impedance	8 Ω		
Voltage Taps	100 V – 30 W, 15 W, 7.5 W, 70 V – 30 W, 15 W, 7.5 W and 3.8 W		

¹-10 dB IEC60268-5 ²Calculated ³Measured in half space



© 2026 Void Acoustics Research Ltd.

This information is subject to change without notice. For the latest online version, visit: voidacoustics.com Void Acoustics and the Void logo are registered trademarks of Void Acoustics Research Ltd. in the United Kingdom, USA and other countries; all other Void trademarks are the property of Void Acoustics Research Ltd.