

# Venu 218 V2



A dual 18 inch subwoofer delivering maximum output and extended low-frequency performance



#### FREQUENCY RESPONSE<sup>1</sup>

30 Hz – Preset dependent



#### MAXIMUM OUTPUT<sup>2</sup>

132 dB cont, 138 dB peak



#### SENSITIVITY<sup>3</sup>

100 dB 1W/1m



#### POWER HANDLING

2400 W AES

Nightclubs & Bars

Hotels & Resorts

Retail

Gyms & Fitness

Restaurants & Cafés

Residential

Building on the performance of the Venu 118 V2, the Venu 218 V2 is designed for installation environments requiring high-output and extended low-frequency reinforcement. Its dual 18 inch configuration delivers greater scale and impact, making it well suited to nightclubs and large venue applications.

The Venu 218 V2 features dual 18 inch high-excursion drivers within a reflex-loaded enclosure, delivering controlled low-frequency output with response down to 30 Hz. Its high-power design maintains consistent performance and low-distortion operation across demanding high-output applications.

A recessed rear connector panel allows the Venu 218 V2 to be positioned directly against walls for discreet installation, while an optional top-hat provides a standard M20 mounting point for satellite loudspeaker deployment.

Available as standard in black with a black grille or white with a white grille, the Venu Series is also offered in two Natural Wood body finishes, Barewood and Vintage.

## KEY FEATURES

High-power reflex-loaded dual 18 inch subwoofer

2400 W AES power handling

Tough, high-excursion transducers with 4 inch voice coil and FEM optimised motor

4-pin locking connector and Phoenix connectors with link-through for quick and reliable hook ups

Recessed rear connector panel that allows the enclosure to be placed against a rear wall

Sturdy enclosure made entirely from 18 mm multi-laminate birch plywood

Optional castor kit available

Optional top-hat providing a standard M20 mounting point

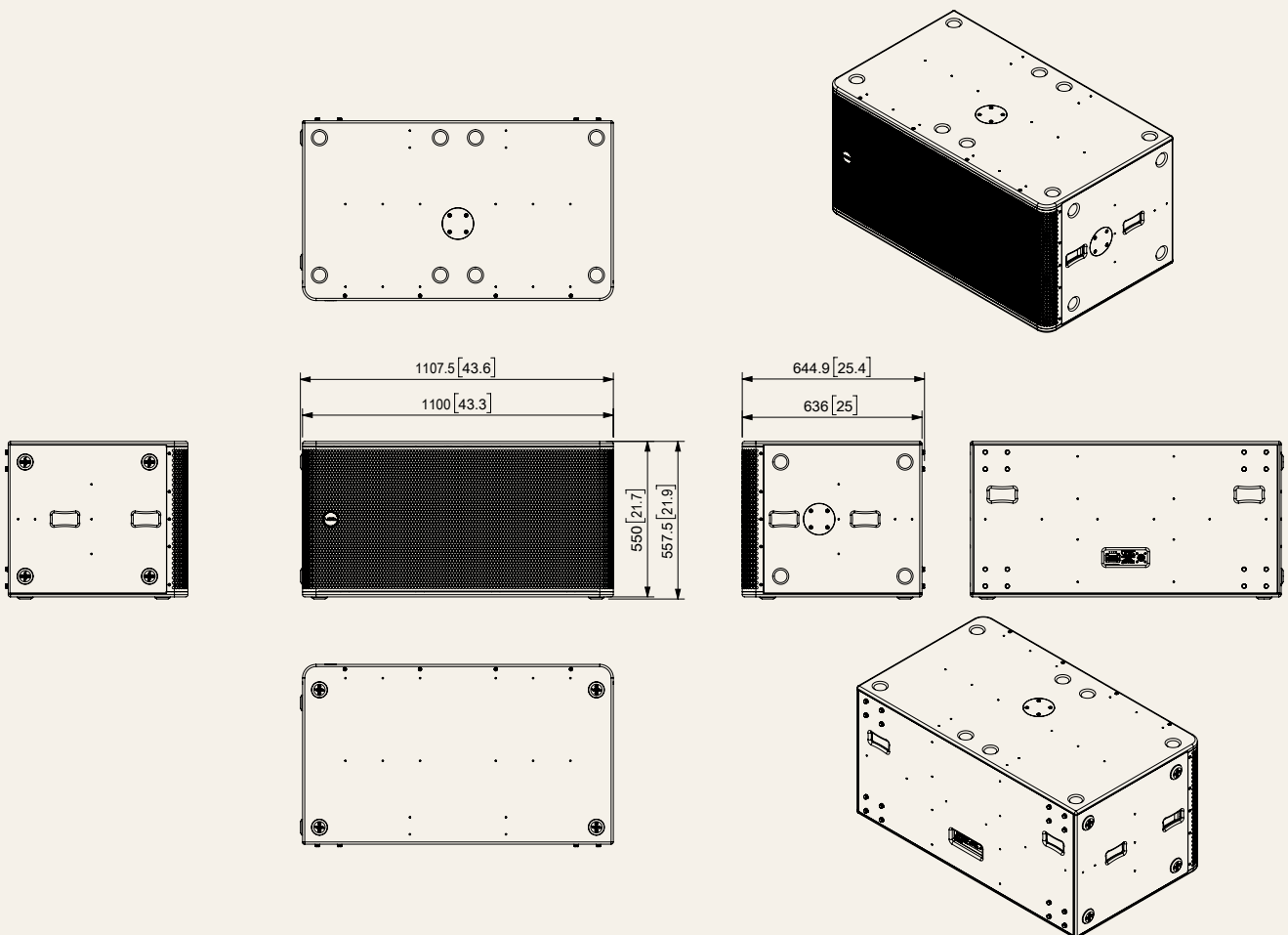
Custom RAL finishes are available for both the body and grille, with KROME grille finishes available upon request

**SPECIFICATIONS**

<b>Frequency response<sup>1</sup></b>	30 Hz – Preset dependent
<b>Maximum Output<sup>2</sup></b>	132 dB cont, 138 dB peak
<b>Nominal Dispersion</b>	Array dependent
<b>Sensitivity<sup>3</sup></b>	100 dB 1W/1m
<b>Driver Configuration</b>	2 x 18" LF
<b>Power Handling</b>	2400 W AES
<b>Nominal Impedance</b>	4 Ω

<b>Suggested Minimum Amplifier</b>	Bias Q5+
<b>Weight</b>	78.87kg (173.9lbs)
<b>Connections</b>	1 x Phoenix with link out and 1 x 4-pin locking connector with link out
<b>Enclosure</b>	18 mm birch plywood
<b>Finish</b>	Textured polyurethane
<b>Mounting</b>	Optional M20 top hat

<sup>1</sup>-10 dB IEC60268-5 <sup>2</sup>Calculated <sup>3</sup>Measured in half space



© 2026 Void Acoustics Research Ltd.

This information is subject to change without notice. For the latest online version, visit: [voidacoustics.com](http://voidacoustics.com) Void Acoustics and the Void logo are registered trademarks of Void Acoustics Research Ltd. in the United Kingdom, USA and other countries; all other Void trademarks are the property of Void Acoustics Research Ltd.