

Venu 118 V2



A high output 18 inch subwoofer delivering extended low-frequency performance with low-distortion



FREQUENCY RESPONSE¹

30 Hz – Preset dependent



MAXIMUM OUTPUT²

126 dB cont, 132 dB peak



SENSITIVITY³

97 dB 1W/1m



POWER HANDLING

1200 W AES

Nightclubs & Bars

Hotels & Resorts

Retail

Gyms & Fitness

Restaurants & Cafés

Residential

The Venu 118 V2 has a single 18 inch high-excursion driver that delivers efficient, low-distortion bass performance, making it well suited to bars, clubs and hospitality spaces.

The Venu 118 V2 features a high-power 18 inch low-frequency driver within a reflex-loaded enclosure, delivering extended low-frequency response down to 30 Hz. Its design focuses on efficiency and low-distortion, ensuring consistent and controlled performance, making it well suited to bars, clubs and hospitality spaces.

A recessed rear connector panel allows the Venu 118 V2 to be positioned directly against walls for discreet installation, while an optional top-hat provides a standard M20 mounting point for satellite loudspeaker deployment.

Available as standard in black with a black grille or white with a white grille, the Venu V2 range is also offered in two Natural Wood body finishes, Barewood and Vintage.

Custom RAL finishes are available for both the body and grille, with KROME grille finishes available upon request.

KEY FEATURES

High-power reflex-loaded
18 inch subwoofer

1200 W AES power handling

Tough, high-excursion transducer with
4 inch voice coil and FEM optimised motor

4-pin locking connector and Phoenix
connectors with link-through for quick
and reliable hook ups

Recessed rear connector panel that
allows the enclosure to be placed
against a rear wall

Sturdy enclosure made entirely from
18 mm multi-laminate birch plywood

Optional castor kit available

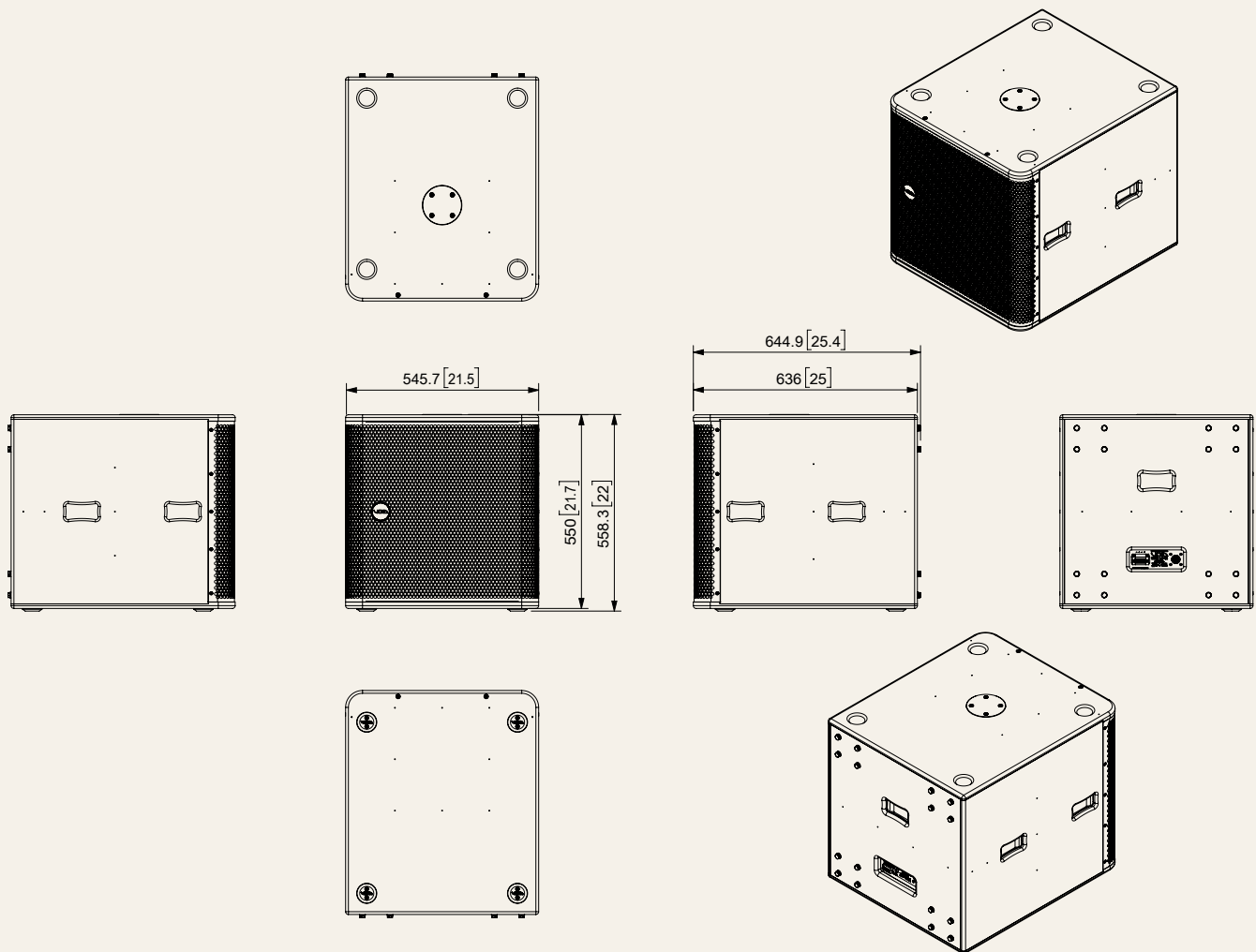
Optional top-hat providing a
standard M20 mounting point

SPECIFICATIONS

| | |
|---------------------------------------|--------------------------|
| Frequency response¹ | 30 Hz – Preset dependent |
| Maximum Output² | 126 dB cont, 132 dB peak |
| Sensitivity³ | 97 dB 1W/1m |
| Nominal Dispersion | Array dependent |
| Driver Configuration | 1 x 18" LF |
| Power Handling | 1200 W AES |
| Nominal Impedance | 8 Ω |

| | |
|------------------------------------|---|
| Suggested Minimum Amplifier | Bias Q2+ |
| Weight | 42.48kg (93.7 lbs) |
| Connections | 1 x Phoenix with link out and 1 x 4-pin locking connector with link out |
| Enclosure | 18 mm birch plywood |
| Finish | Textured polyurethane |
| Mounting | Optional M20 top hat |

¹-10 dB IEC60268-5 ²Calculated ³Measured in half space



© 2026 Void Acoustics Research Ltd.

This information is subject to change without notice. For the latest online version, visit: voidacoustics.com Void Acoustics and the Void logo are registered trademarks of Void Acoustics Research Ltd. in the United Kingdom, USA and other countries; all other Void trademarks are the property of Void Acoustics Research Ltd.