

Venu 208



A compact dual 8 inch subwoofer designed for discreet low-frequency reinforcement in installation environments



FREQUENCY RESPONSE¹

38 Hz – Preset dependent



MAXIMUM OUTPUT²

119 dB cont, 125 dB peak



SENSITIVITY³

95 dB 1W/1m



POWER HANDLING

300 W AES

Nightclubs & Bars

Hotels & Resorts

Retail

Gyms & Fitness

Restaurants & Cafés

Residential

The Venu 208 is designed for installation environments where space is limited but low-frequency reinforcement is required. Its compact enclosure and flexible mounting options allow it to be positioned discreetly under seating, against walls or mounted overhead.

The Venu 208 uses a dual 8 inch bandpass design to deliver controlled, high-output low-frequency performance from a compact enclosure. Its high-excursion drivers provide consistent bass reinforcement, making it well suited to distributed audio and background music systems.

A recessed rear connector panel allows the enclosure to be positioned directly against rear walls for discreet installation. Optional yoke bracket mounting and T75-style fixing points support a wide range of wall and ceiling mounting configurations.

Available as standard in black with a black grille or white with a white grille, the Venu Series is also offered in two Natural Wood body finishes, Barewood and Vintage.

KEY FEATURES

Dual 8 inch subwoofer

Parallel tuned 6th order bandpass

Tough, high-excursion transducers

4-pin locking connector and Phoenix connectors with link-through for quick and reliable hook ups

Recessed rear connector panel that allows the enclosure to be placed against a rear wall

Robust enclosure made entirely from 15 mm multi-laminate birch plywood

Optional yoke bracket available

T75-style fixing points for compatibility with a wide range of mounting options

Ultra compact dimensions for discreet installations

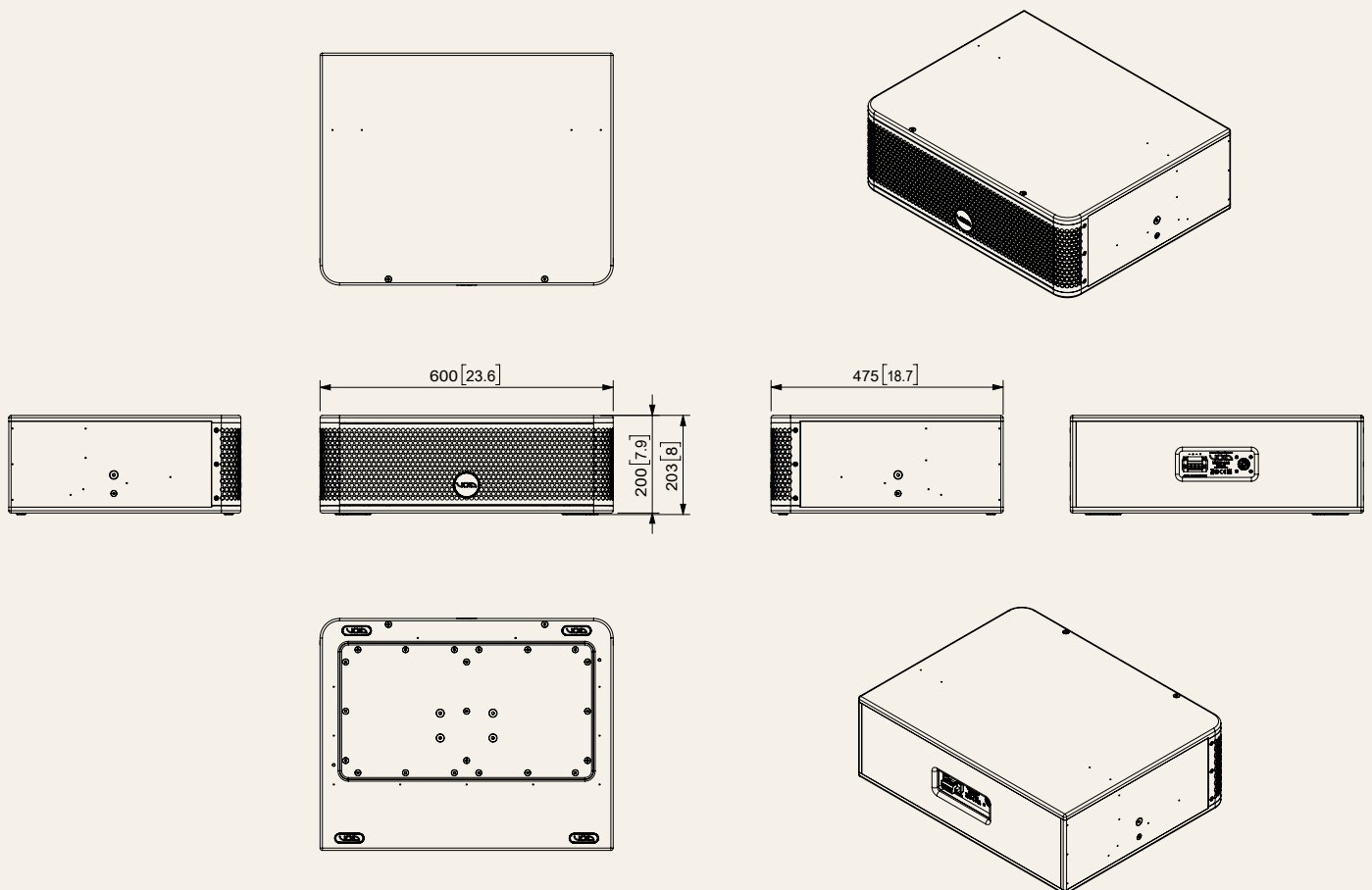
Custom RAL finishes are available for both the body and grille, with KROME grille finishes available upon request

SPECIFICATIONS

Frequency response¹	38 Hz – Preset dependent
Maximum Output²	119 dB cont, 125 dB peak
Sensitivity³	95 dB 1W/1m
Nominal Dispersion	Array dependent
Driver Configuration	2 x 8" LF
Power Handling	300 W AES
Nominal Impedance	8 Ω

Suggested Minimum Amplifier	Bias Q1+
Weight	20 kg (44.1 lbs)
Connections	1 x Phoenix with link out and 1 x 4-pin locking connector with link
Enclosure	15 mm birch plywood
Finish	Textured polyurethane
Mounting	Yoke bracket and Type 75 plate

¹-10 dB IEC60268-5 ²Calculated ³Measured in half space



© 2026 Void Acoustics Research Ltd.

This information is subject to change without notice. For the latest online version, visit: voidacoustics.com Void Acoustics and the Void logo are registered trademarks of Void Acoustics Research Ltd. in the United Kingdom, USA and other countries; all other Void trademarks are the property of Void Acoustics Research Ltd.