

# Venu 115 V2



A compact 15 inch subwoofer delivering reliable low-frequency output for installation environments



#### FREQUENCY RESPONSE<sup>1</sup>

33 Hz – Preset dependent



#### MAXIMUM OUTPUT<sup>2</sup>

123 dB cont, 129 dB peak



#### SENSITIVITY<sup>3</sup>

98 dB 1W/1m



#### POWER HANDLING

500 W AES

Nightclubs & Bars

Hotels & Resorts

Retail

Gyms & Fitness

Restaurants & Cafés

Residential

The Venu 115 V2 is designed to deliver controlled low-frequency performance from a compact enclosure.

The Venu 115 V2 features a single 15 inch high-excursion driver within a reflex-loaded enclosure, delivering controlled bass output with low-frequency response down to 33 Hz. Its design maintains consistent low-frequency performance, making it well suited to bars, lounges and hospitality environments where space is limited but impactful bass reinforcement is required.

A recessed rear connector panel allows the Venu 115 V2 to be positioned directly against walls for discreet installation, while an optional top-hat provides a standard M20 mounting point for satellite loudspeaker deployment.

Available as standard in black with a black grille or white with a white grille, the Venu V2 range is also offered in two Natural Wood body finishes, Barewood and Vintage.

Custom RAL finishes are available for both the body and grille, with KROME grille finishes available upon request.

## KEY FEATURES

Reflex-loaded single 15 inch subwoofer

Tough, high-excursion transducer with 4 inch voice coils

Rotatable badge

4-pin locking connector and Phoenix connectors with link-through for quick and reliable hook ups

Recessed rear connector panel that allows the enclosure to be placed against a rear wall

Robust enclosure made entirely from 18 mm multi-laminate birch plywood

Optional yoke bracket available

T75-style fixing points for compatibility with a wide range of mounting options

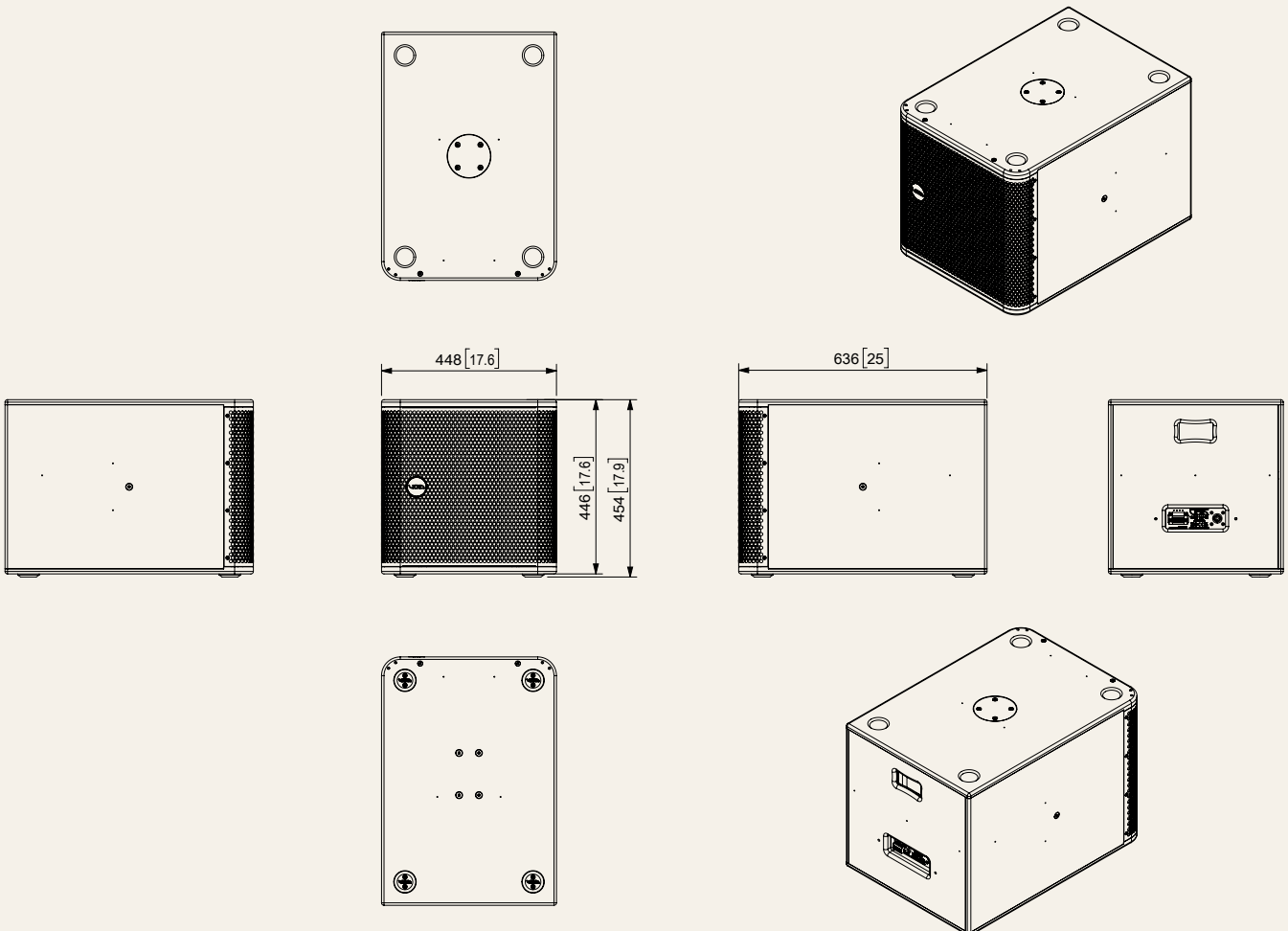
Optional top-hat providing a standard M20 mounting point

**SPECIFICATIONS**

<b>Frequency response<sup>1</sup></b>	33 Hz – Preset dependent
<b>Maximum Output<sup>2</sup></b>	123 dB cont, 129 dB peak
<b>Sensitivity<sup>3</sup></b>	98 dB 1W/1m
<b>Nominal Dispersion</b>	Array dependent
<b>Driver Configuration</b>	1 x 15" LF
<b>Power Handling</b>	500 W AES
<b>Nominal Impedance</b>	8 Ω

<b>Suggested Minimum Amplifier</b>	Bias Q1.5+
<b>Weight</b>	35 kg (77.2 lbs)
<b>Connections</b>	1 x Phoenix with link out and 1 x 4-pin locking connector with link out
<b>Enclosure</b>	18 mm birch plywood
<b>Finish</b>	Textured polyurethane
<b>Mounting</b>	Optional M20 top hat, Yoke bracket, Type 75 plate

<sup>1</sup>-10 dB IEC60268-5 <sup>2</sup>Calculated <sup>3</sup>Measured in half space



© 2026 Void Acoustics Research Ltd.

This information is subject to change without notice. For the latest online version, visit: [voidacoustics.com](http://voidacoustics.com) Void Acoustics and the Void logo are registered trademarks of Void Acoustics Research Ltd. in the United Kingdom, USA and other countries; all other Void trademarks are the property of Void Acoustics Research Ltd.