

Stasys 218



A dual 18 inch reflex-loaded subwoofer delivering high-output with controlled low-frequency performance



FREQUENCY RESPONSE¹

34 Hz – Preset dependent



MAXIMUM OUTPUT²

134 dB cont, 140 dB peak



SENSITIVITY³

101 dB 1W/1m



POWER HANDLING

2400 W AES

Nightclubs & Bars

Festivals & Events

The Stasys 218 builds on the principles of the Stasys 118, combining a reflex-loaded design with refined enclosure engineering. Extensive resonance mapping and optimised brace positioning reduce unwanted cabinet interaction, resulting in increased output with controlled low-frequency performance.

Equipped with dual 18 inch neodymium low-frequency drivers with 4 inch voice coils, the Stasys 218 delivers high-output performance with strong low-frequency extension and efficiency. Its optimally damped, minimal mass cabinet reduces colouration and unwanted resonance, maintaining clarity and consistency at high sound pressure levels.

Built for touring environments, the Stasys 218 features a durable black textured 'TourCoat' polyurea finish designed to withstand transport and deployment. Its predictable performance supports large-scale touring and live sound applications.

KEY FEATURES

Dual 18 inch neodymium low-frequency drivers with 4 inch voice coil

2400 W AES power handling

Optimally damped, minimal mass cabinet to reduce colouration

Dual 4-pin locking connector with link-through for quick and easy set up

Optional castors and protective covers

18 mm birch plywood construction

Black textured 'TourCoat' polyurea finish

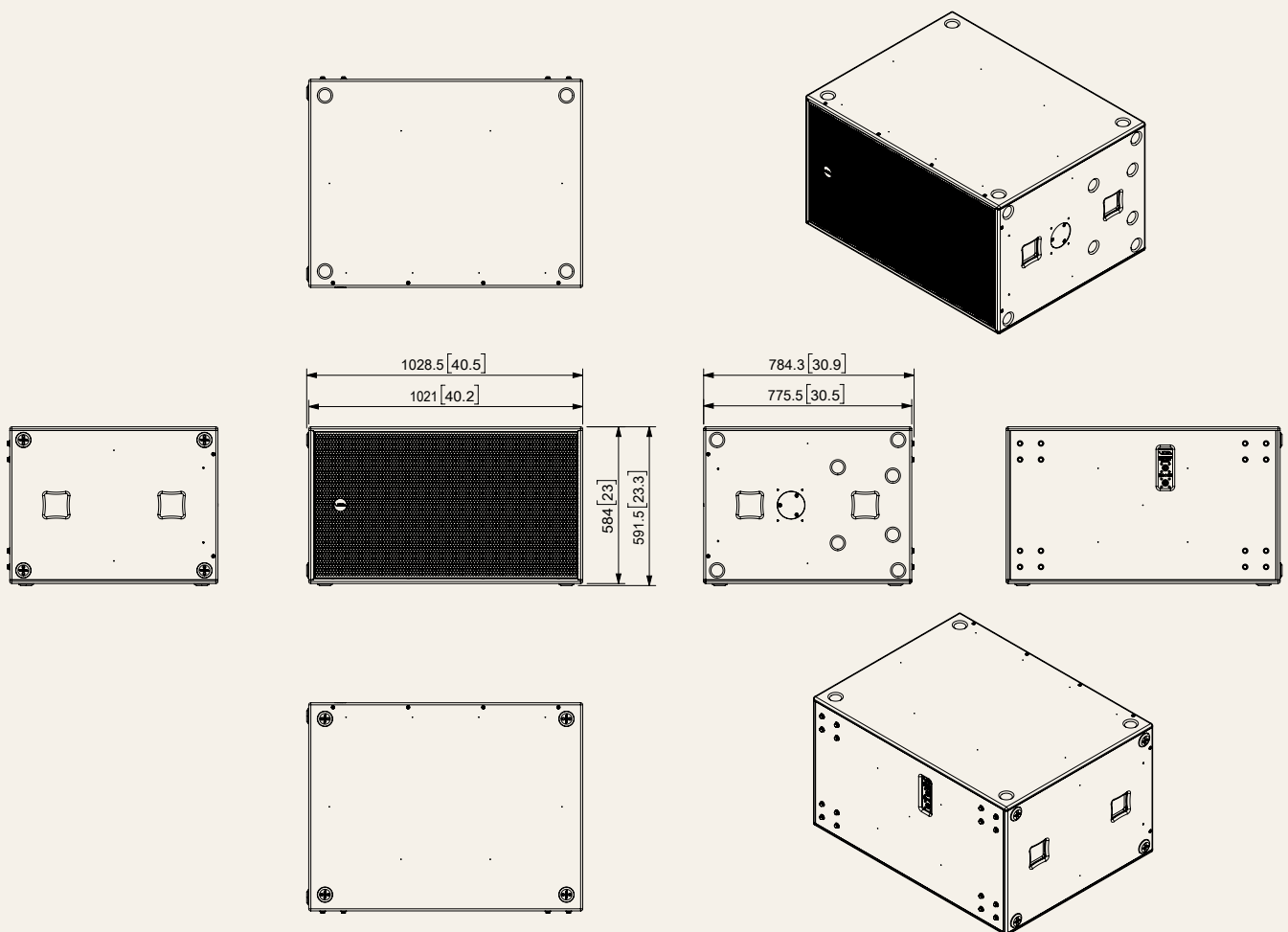
Available as standard in black with a black grille

White finishes and custom RAL finishes for the grille are available upon request

SPECIFICATIONS

| | | | |
|---------------------------------------|--------------------------|------------------------------------|------------------------------|
| Frequency response¹ | 34 Hz – Preset dependent | Suggested Minimum Amplifier | Bias Q5 |
| Maximum Output² | 134 dB cont, 140 dB peak | Weight | 86 kg (189.6 lbs) |
| Nominal Dispersion | Array dependent | Connections | 2 x 4-pin locking connector |
| Sensitivity³ | 101 dB 1W/1m | Enclosure | 18 mm birch plywood |
| Driver Configuration | 2 x 18" LF | Finish | Textured "TourCoat" polyurea |
| Power Handling | 2400 W AES | Mounting | M20 top hat included |
| Nominal Impedance | 4 Ω | | |

¹-10 dB IEC60268-5 ²Calculated ³Measured in half space



© 2026 Void Acoustics Research Ltd.

This information is subject to change without notice. For the latest online version, visit: voidacoustics.com Void Acoustics and the Void logo are registered trademarks of Void Acoustics Research Ltd. in the United Kingdom, USA and other countries; all other Void trademarks are the property of Void Acoustics Research Ltd.