

Venu 215 V2



A high-output dual 15 inch subwoofer delivering deep, powerful low-frequency performance for installation environments



FREQUENCY RESPONSE¹

33 Hz – Preset dependent



MAXIMUM OUTPUT²

130 dB cont, 136 dB peak



SENSITIVITY³

101 dB 1W/1m



POWER HANDLING

1000 W AES

Nightclubs & Bars

Hotels & Resorts

Retail

Gyms & Fitness

Restaurants & Cafés

Residential

Building on the low-frequency performance of the Venu 115 V2, the Venu 215 V2 combines a dual 15 inch configuration with greater bass impact and system scale. Its design makes it well suited to bars, nightclubs and hospitality venues.

The Venu 215 V2 features dual 15 inch high-excursion drivers within a reflex-loaded enclosure, delivering controlled bass output with extended low-frequency response down to 33 Hz. Its design supports consistent performance across high-energy applications.

A recessed rear connector panel allows the Venu 215 V2 to be positioned directly against walls for discreet installation, while an optional top-hat provides a standard M20 mounting point for satellite loudspeaker deployment.

Available as standard in black with a black grille or white with a white grille, the Venu Series is also offered in two Natural Wood body finishes, Barewood and Vintage.

Custom RAL finishes are available for both the body and grille, with KROME grille finishes available upon request.

KEY FEATURES

Reflex-loaded dual 15 inch subwoofer

Tough, high-excursion transducers with 4 inch voice coils

Rotatable badge

4-pin locking connector and Phoenix connectors with link-through for quick and reliable hook ups

Recessed rear connector panel that allows the enclosure to be placed against a rear wall

Robust enclosure made entirely from 15 mm multi-laminate birch plywood

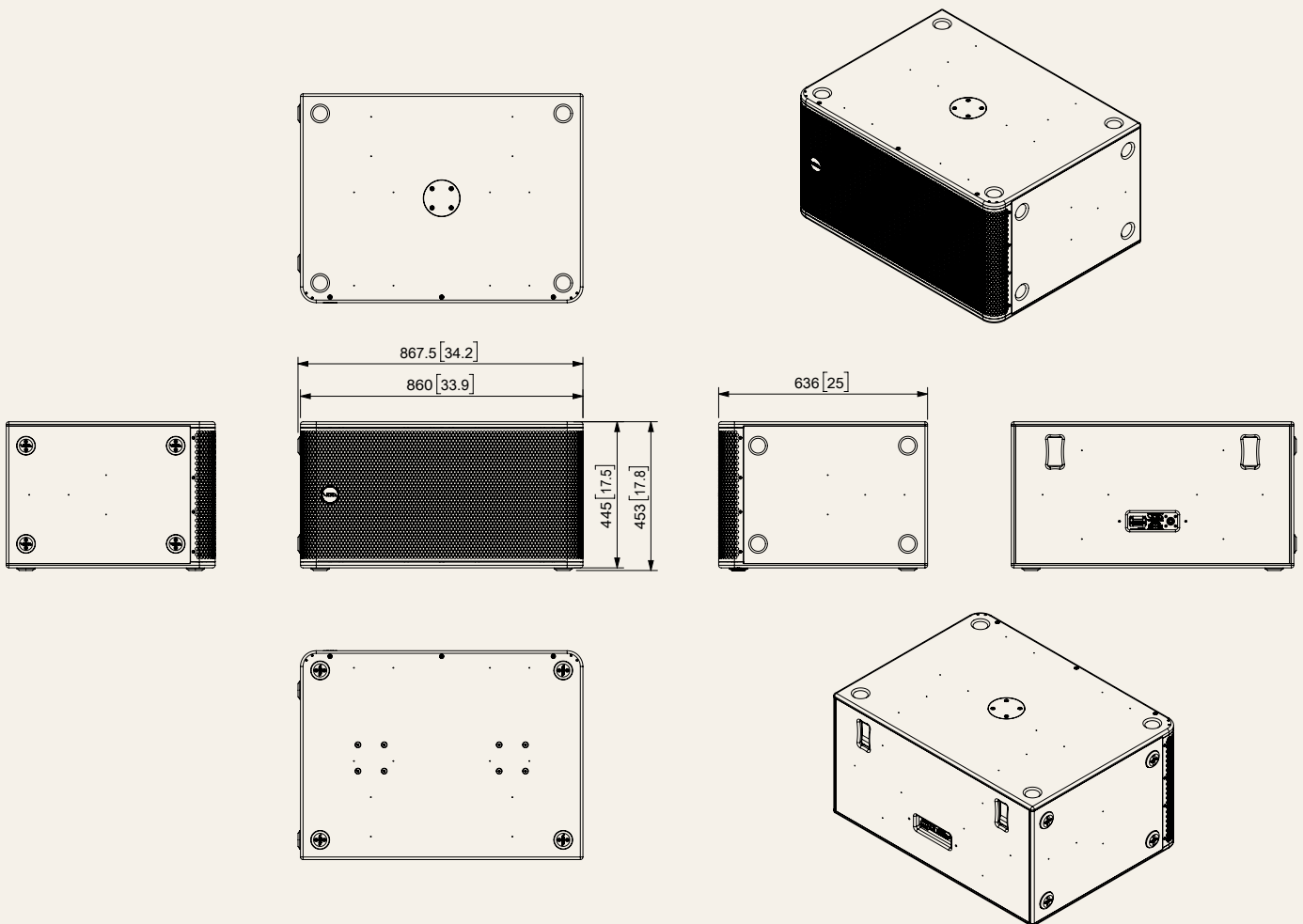
Optional top-hat providing a standard M20 mounting point

SPECIFICATIONS

Frequency response¹	33 Hz – Preset dependent
Maximum Output²	130 dB cont, 136 dB peak
Nominal Dispersion	Array dependent
Sensitivity³	101 dB 1W/1m
Driver Configuration	2 x 15" LF
Power Handling	1000 W AES
Nominal Impedance	4 Ω

Suggested Minimum Amplifier	Bias Q2+
Weight	62.5 kg (137.8 lbs)
Connections	1 x Phoenix with link out and 1 x 4-pin locking connector with link out
Enclosure	15 mm birch plywood
Finish	Textured polyurethane
Mounting	Optional M20 top hat

¹-10 dB IEC60268-5 ²Calculated – ³Measured in half space



© 2026 Void Acoustics Research Ltd.

This information is subject to change without notice. For the latest online version, visit: voidacoustics.com Void Acoustics and the Void logo are registered trademarks of Void Acoustics Research Ltd. in the United Kingdom, USA and other countries; all other Void trademarks are the property of Void Acoustics Research Ltd.