

VOID

# Accessory Guide

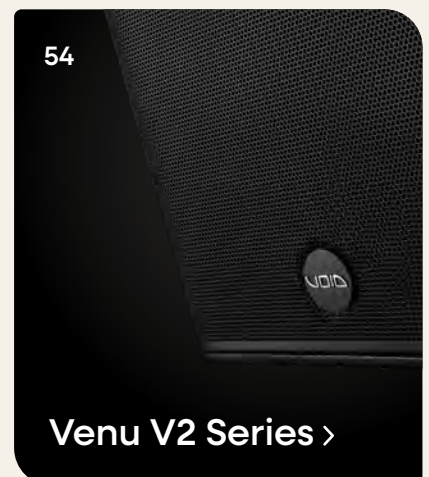
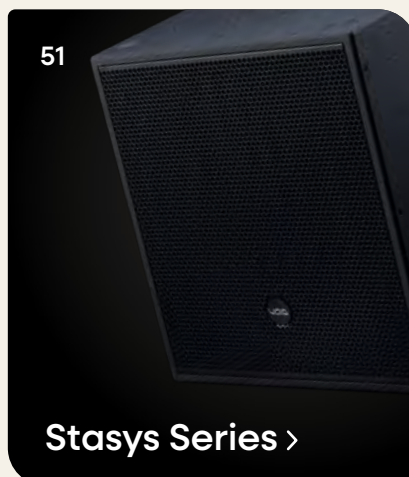
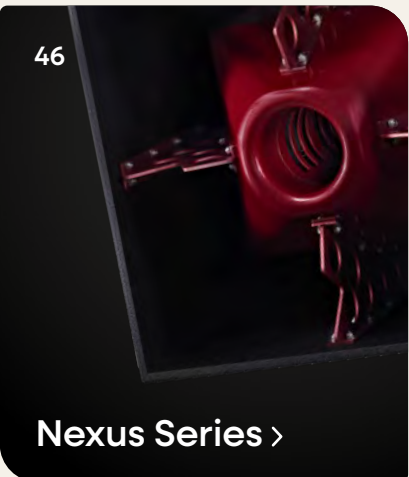
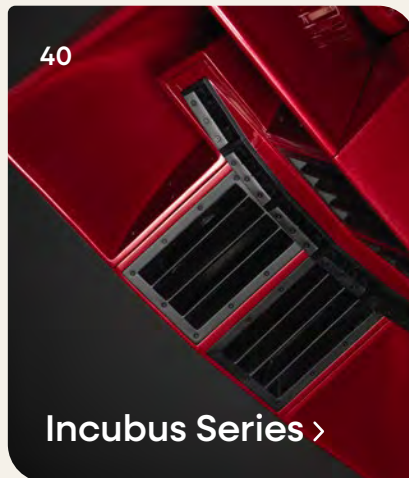
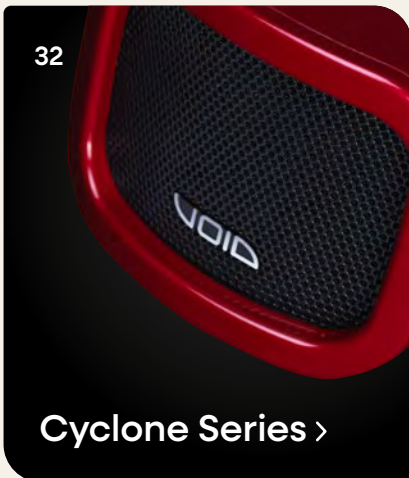
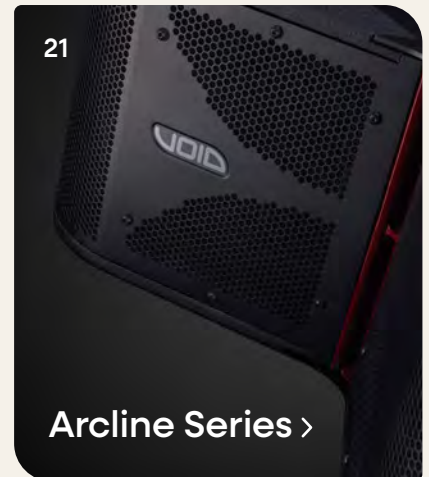
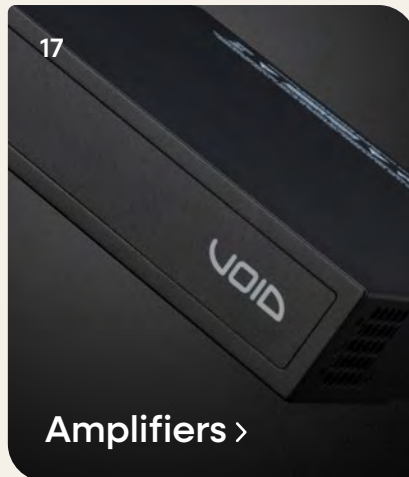
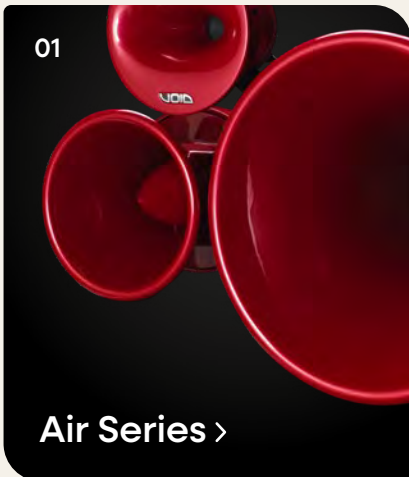
# Contents



## How to use this guide

Use the hyperlinks throughout this guide to navigate the different sections. Click on the product series below and then accessory type.

Select your chosen Series:





# Air Series

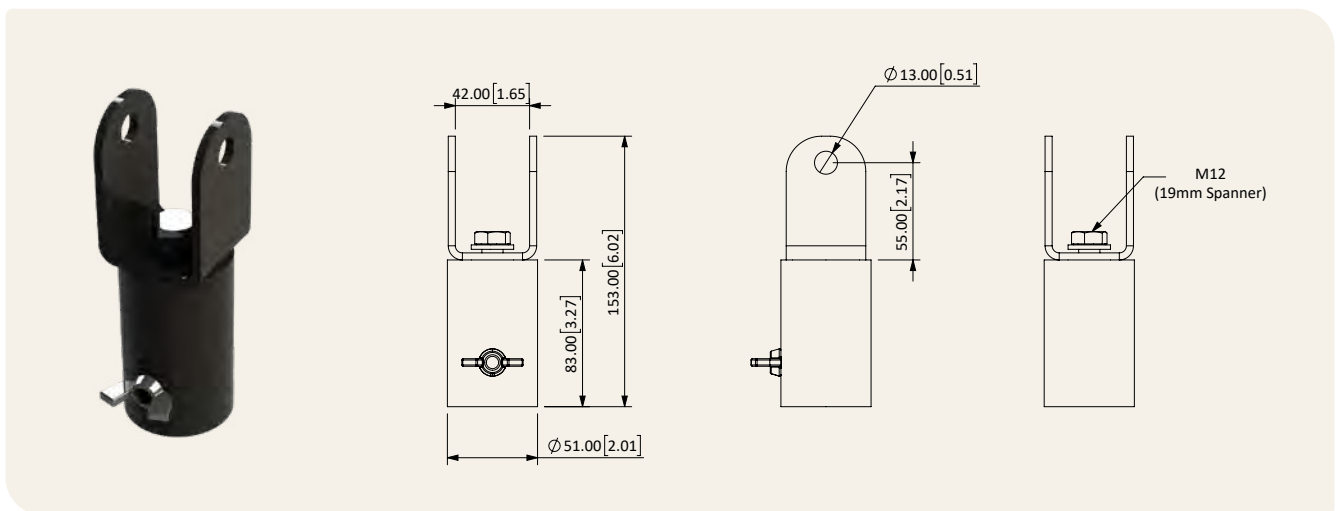
Pole Brackets	02	>
Multi Brackets Ceiling, wall and floor/sub mounting	05	>
Mounting Boards	06	>
Truss Brackets	07	>
Ceiling Brackets	08	>
Wall Brackets	11	>
Stud Brackets	14	>
Flight Cases	15	>
Subwoofer Accessories	16	>

# Pole Brackets

Pole brackets can be fixed to the speaker or speaker frame to provide a standard 35mm internal diameter mounting hole compatible with a wide range of stands.

## For Air Motion & Tri Motion

- |               |                     |         |               |                                   |         |
|---------------|---------------------|---------|---------------|-----------------------------------|---------|
| <b>IT3723</b> | TU Pole Bracket Kit | ● Black | <b>IT6320</b> | TU Pole Bracket Kit - Weatherised | ● Black |
| <b>IT3724</b> | TU Pole Bracket Kit | ○ White | <b>IT6321</b> | TU Pole Bracket Kit - Weatherised | ○ White |



### Kit consists of:

- |               |                    |         |
|---------------|--------------------|---------|
| <b>IT2238</b> | Heavy Duty Top Hat | ● Black |
| <b>IT1083</b> | TU Stud Bracket    | ● Black |
| <b>IT2237</b> | Heavy Duty Top Hat | ○ White |
| <b>IT1085</b> | TU Stud Bracket    | ○ White |

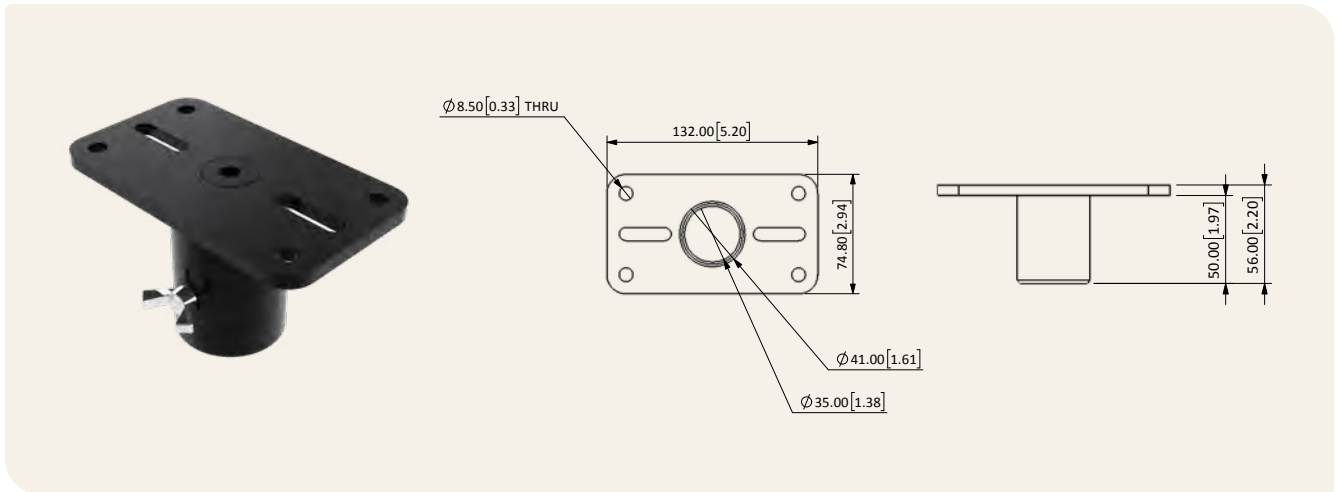
### Weatherised kit consists of:

- |               |                                  |         |
|---------------|----------------------------------|---------|
| <b>IT6288</b> | Heavy Duty Top Hat - Weatherised | ● Black |
| <b>IT5990</b> | TU Stud Bracket - Weatherised    | ● Black |
| <b>IT6041</b> | Heavy Duty Top Hat - Weatherised | ○ White |
| <b>IT5991</b> | TU Stud Bracket - Weatherised    | ○ White |



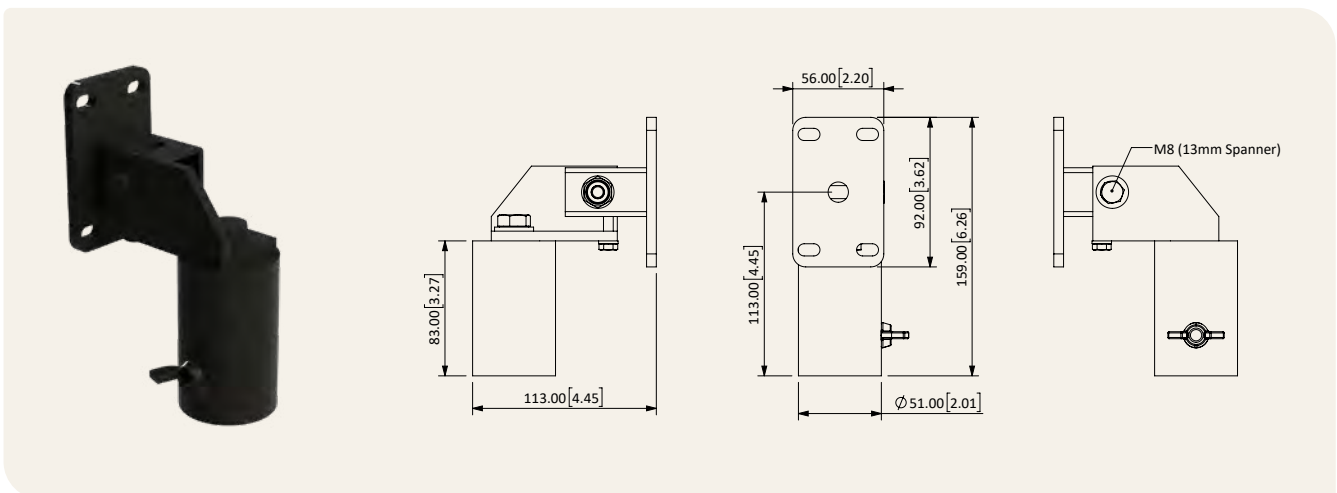
### For Air Vantage & Airten V3

- IT1099 T75 Pole Bracket ● Black
- IT1102 T75 Pole Bracket ○ White



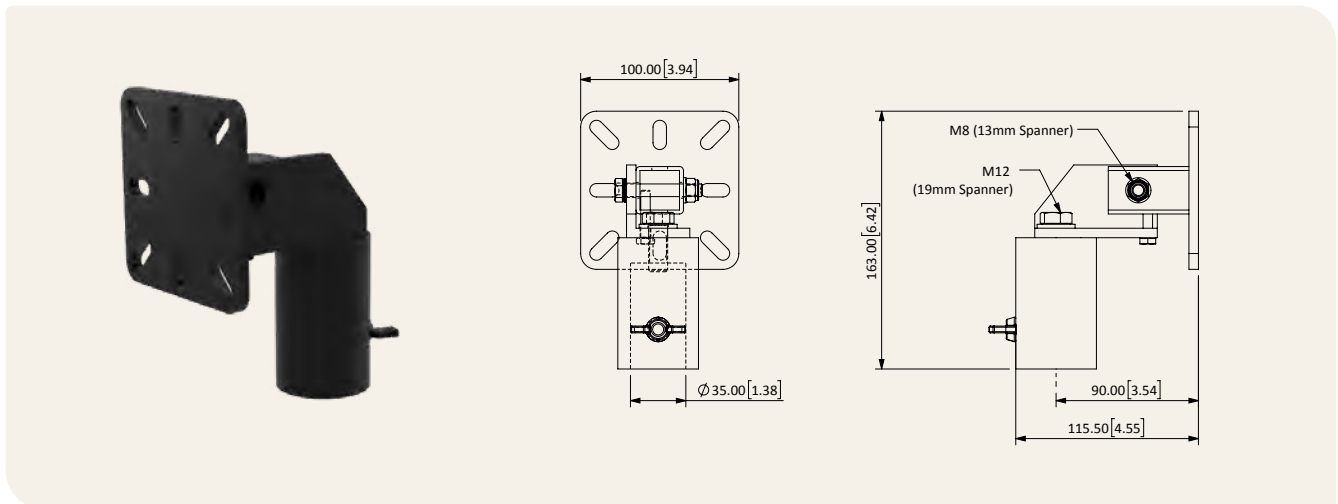
### For Air 8.1

- IT3727 T51 Pole Bracket Kit ● Black
- IT3728 T51 Pole Bracket Kit ○ White



## For Air 12

- IT3725 T80 Pole Bracket Kit ● Black
- IT3726 T80 Pole Bracket Kit ○ White



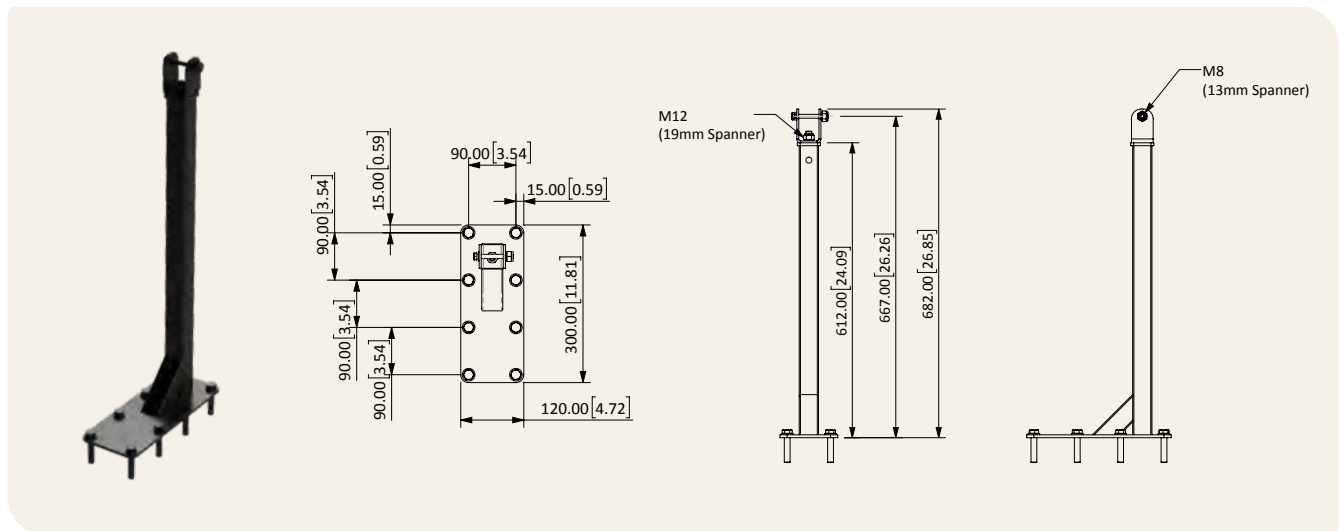
# Multi Brackets

## Ceiling, Wall and Floor/Subwoofer

Multi Bracket can be used on its own for ceiling mounting, or in conjunction with an extension bracket for wall mounting. Additionally, multi bracket can be used with a mounting board to stack on top of compatible Void subwoofers.

### For Air Motion & Tri Motion

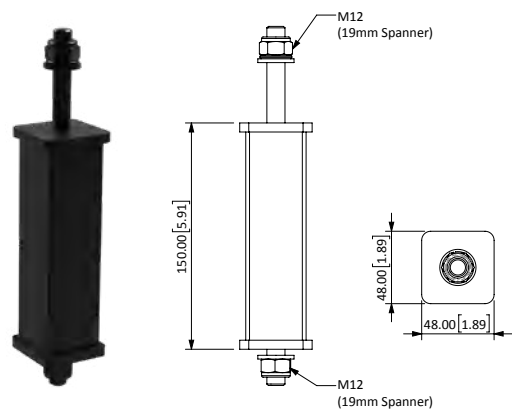
- IT1088 Multi Bracket (600mm) ● Black
- IT1089 Multi Bracket (600mm) ○ White
- IT5986 Multi Bracket (600mm) - Weatherised ● Black
- IT5987 Multi Bracket (600mm) - Weatherised ○ White



#### Associated products:

Multi Bracket Extension; required for wall mounting.

- IT2089 Multi Bracket Extension ● Black
- IT2088 Multi Bracket Extension ○ White
- IT5985 Multi Bracket Extension - Weatherised ● Black
- IT5984 Multi Bracket Extension - Weatherised ○ White

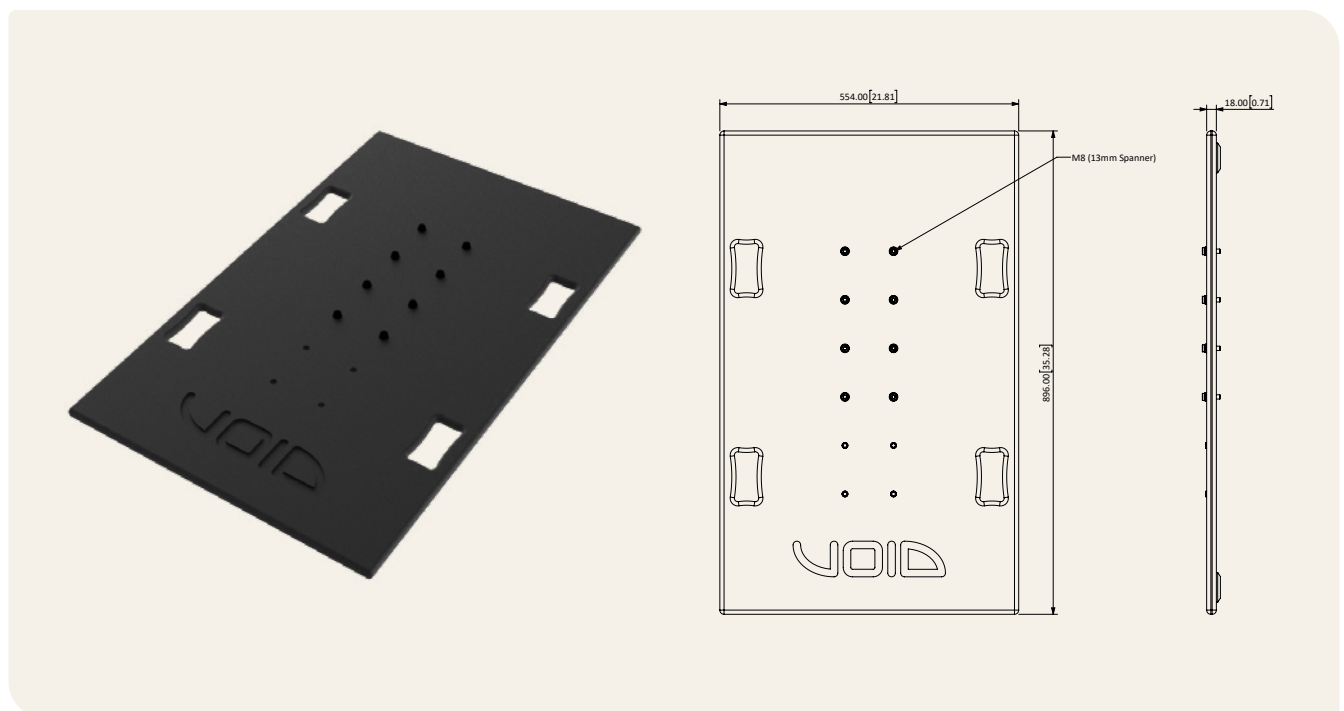


# Mounting Boards

Designed to be used in conjunction with the multi bracket for supporting Air Motion and Tri Motion with a range of different subwoofers. Please note, multi brackets are sold separately.

## For Air Motion & Tri Motion

- IT1591 Mounting Board - XV2/Xair ● Black
- IT1592 Mounting Board - XV2/Xair ○ White
  
- IT1597 Mounting Board - Stasys 218 ● Black
- IT1598 Mounting Board - Stasys 218 ○ White
  
- IT3156 Mounting Board - Nexus Q ● Black
  
- IT4053 Mounting Board - Arcline 218 ● Black

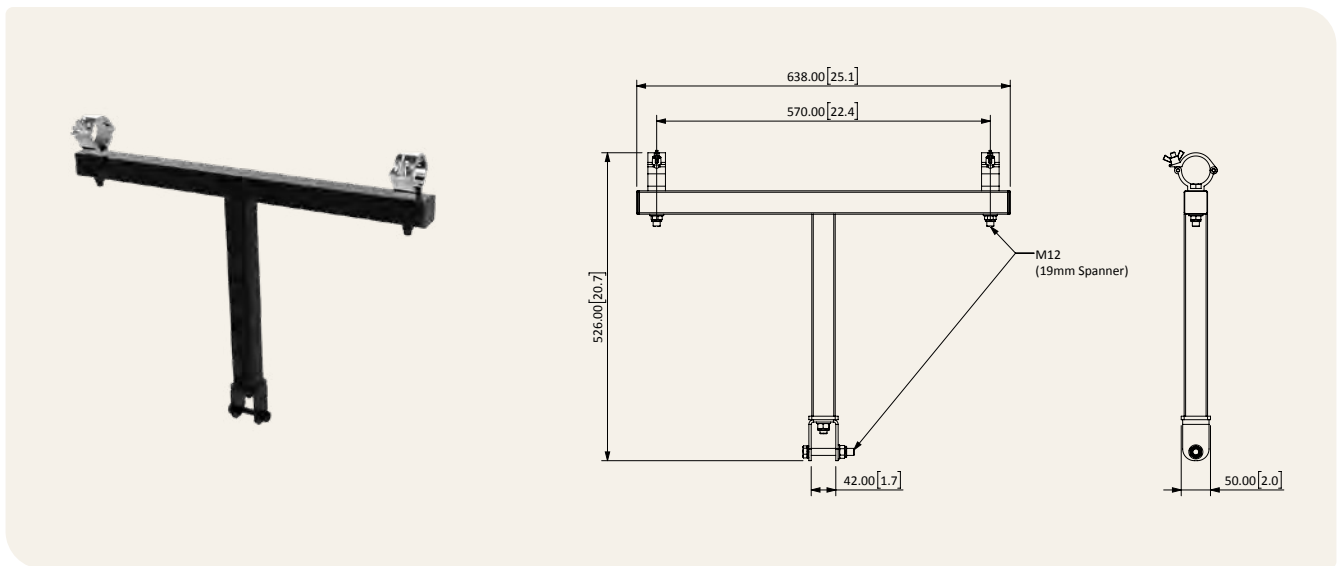


# Truss Brackets

Truss brackets can be used with your Air Series loudspeakers for mounting to truss systems.

## For Air Motion & Tri Motion

- IT1081 Truss Bracket ● Black
- IT1082 Truss Bracket ○ White

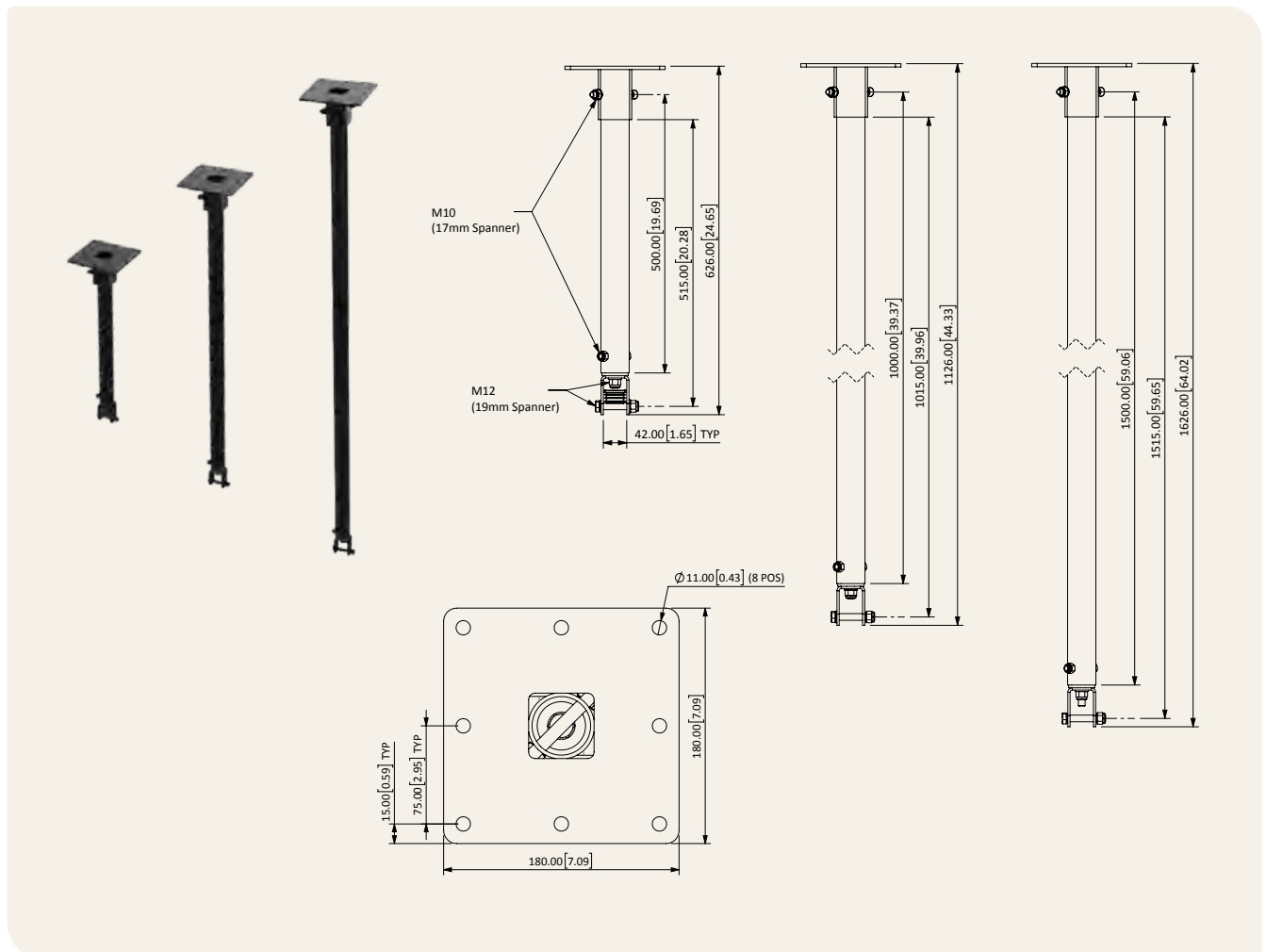


# Ceiling Brackets

Ceiling brackets are available in a variety of lengths offering complete flexibility for a wide range of environments.

## For Air Motion & Tri Motion

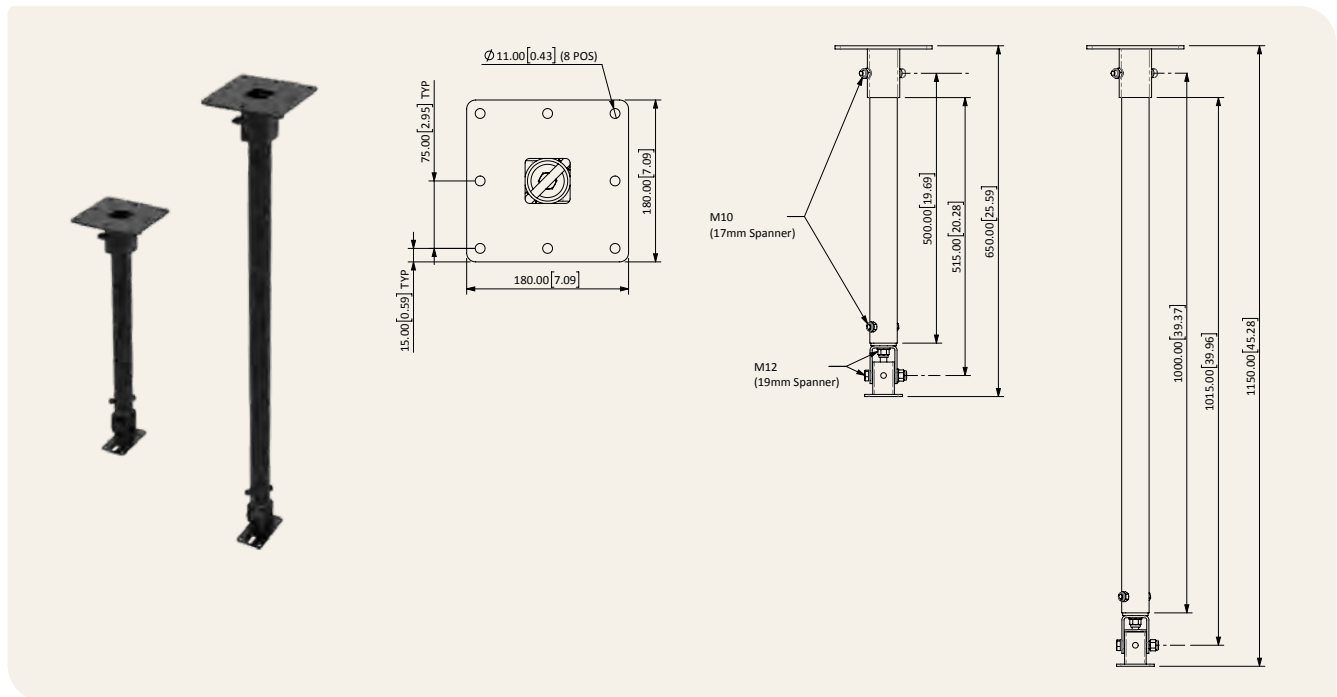
- IT2462 Ceiling Bracket (1500mm) ● Black
- IT3149 Ceiling Bracket (1500mm) ○ White
  
- IT3485 Ceiling Bracket (1000mm) ● Black
- IT3486 Ceiling Bracket (1000mm) ○ White
  
- IT2816 Ceiling Bracket (500mm) ● Black
- IT2817 Ceiling Bracket (500mm) ○ White



### For Air Vantage & Airten V3

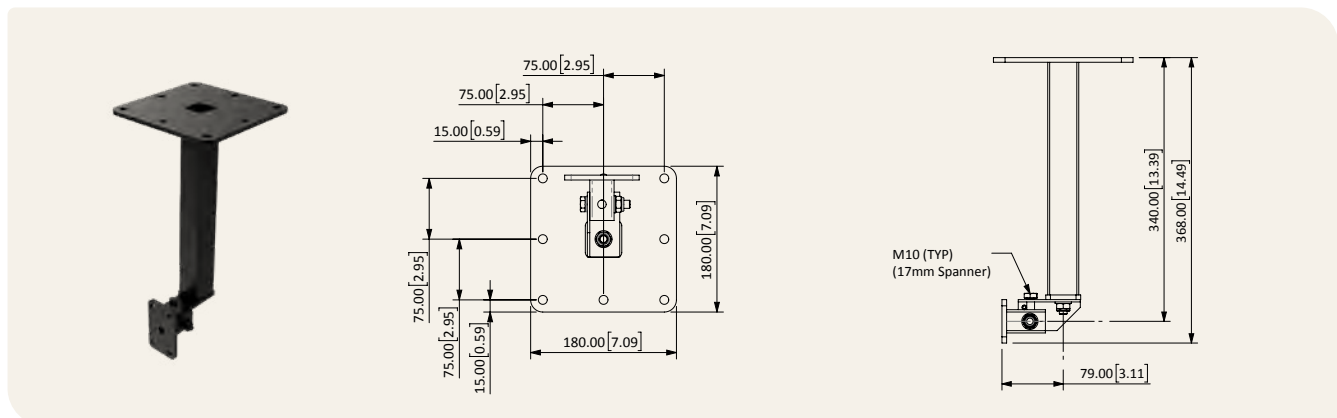
- IT3217 T75 Ceiling Bracket (1000mm) ● Black
- IT3218 T75 Ceiling Bracket (1000mm) ○ White
  
- IT6289 T75 Ceiling Bracket (1000mm) ● Black  
- Weatherised
- IT6039 T75 Ceiling Bracket (1000mm) ○ White  
- Weatherised

- IT1140 T75 Ceiling Bracket (500mm) ● Black
- IT1905 T75 Ceiling Bracket (500mm) ○ White
  
- IT6290 T75 Ceiling Bracket (500mm) ● Black  
- Weatherised
- IT6291 T75 Ceiling Bracket (500mm) ○ White  
- Weatherised



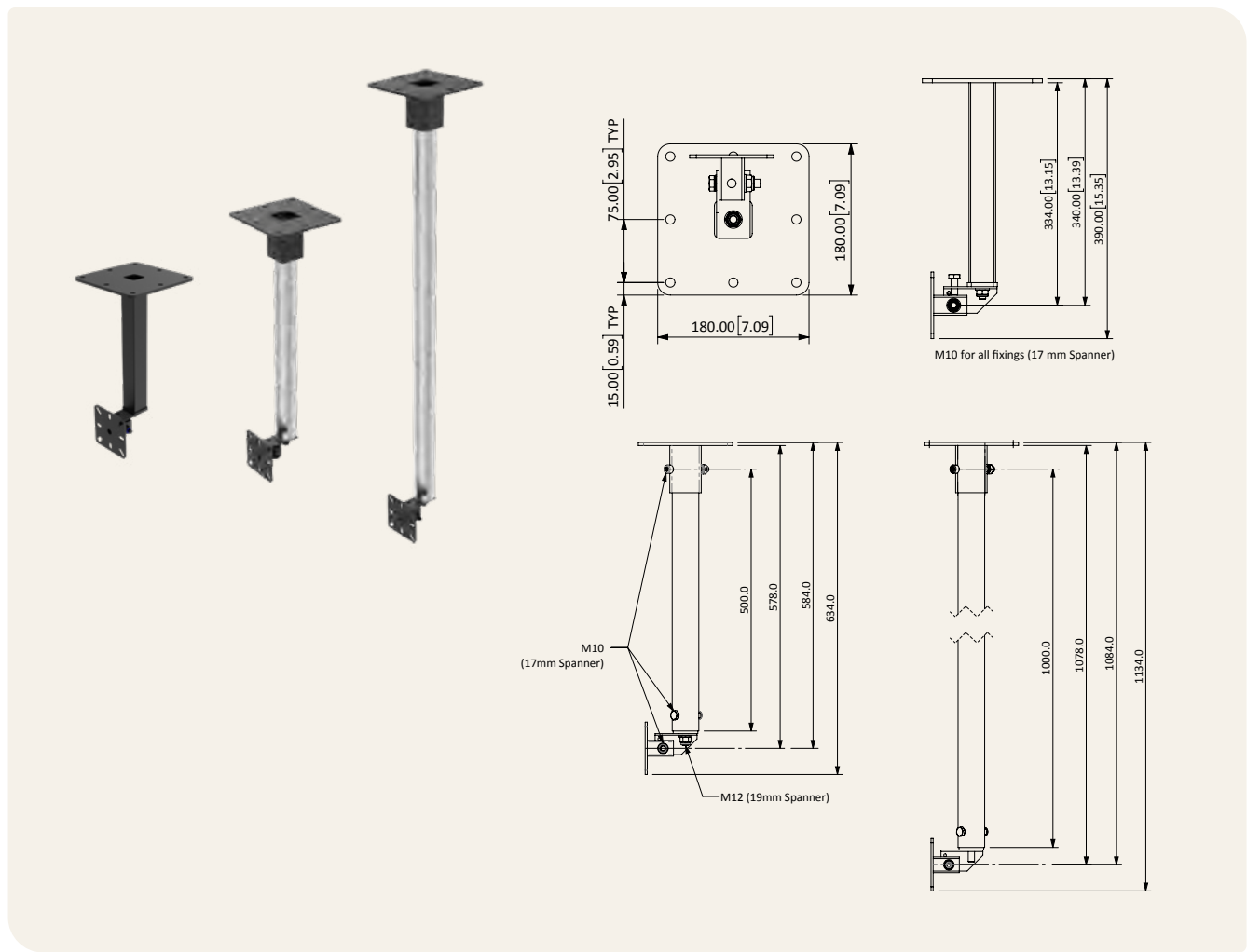
### For Air 8.1

- IT3354 T51 Ceiling Bracket (350mm) ● Black
- IT3802 T51 Ceiling Bracket (350mm) ○ White



For Air 12

- IT3371 T80 Ceiling Bracket (1000mm) ● Black
- IT3372 T80 Ceiling Bracket (1000mm) ○ White
  
- IT2814 T80 Ceiling Bracket (500mm) ● Black
- IT2815 T80 Ceiling Bracket (500mm) ○ White
  
- IT1105 T80 Ceiling Bracket (350mm) ● Black
- IT1106 T80 Ceiling Bracket (350mm) ○ White



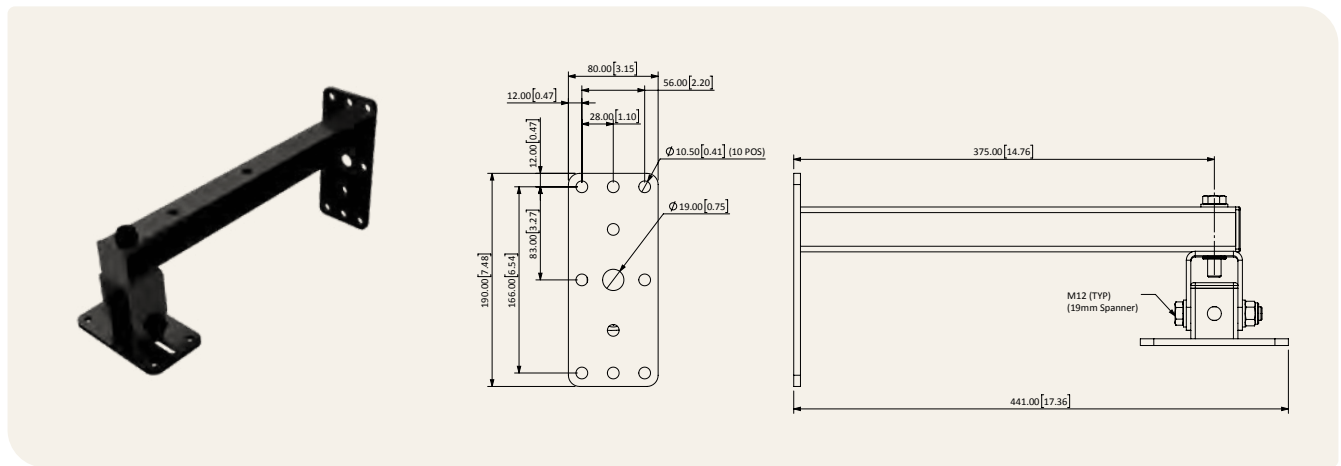
# Wall Brackets

Wall brackets are available for the Air Series offering installers a variety of swivel and tilt options.

## For Air Vantage & Airten V3

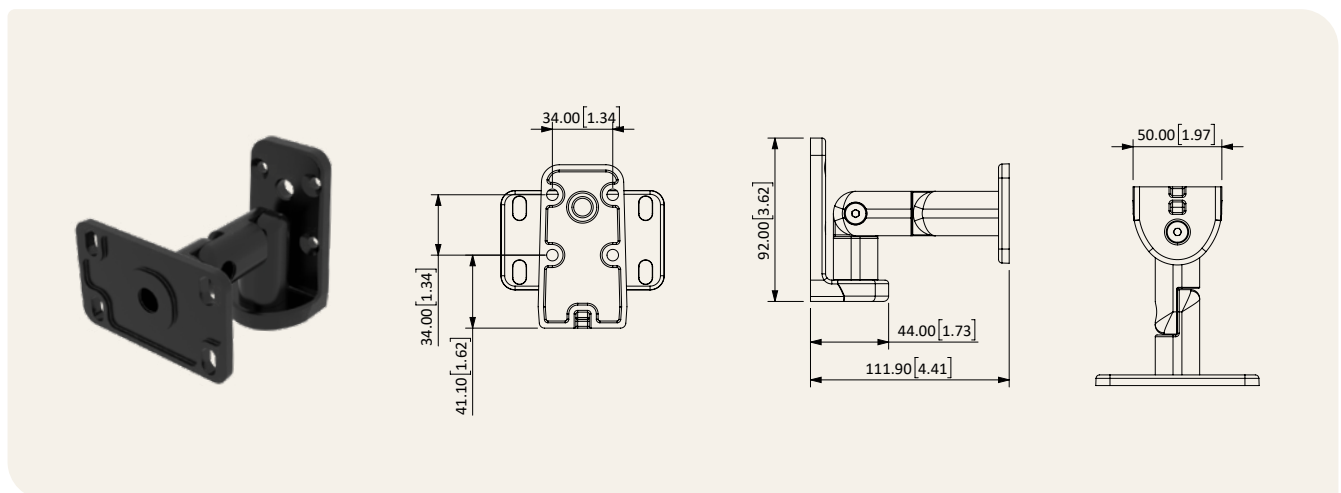
IT1132 T75 Wall Bracket ● Black  
 IT1133 T75 Wall Bracket ○ White

IT5881 T75 Wall Bracket - Weatherised ● Black  
 IT5989 T75 Wall Bracket - Weatherised ○ White



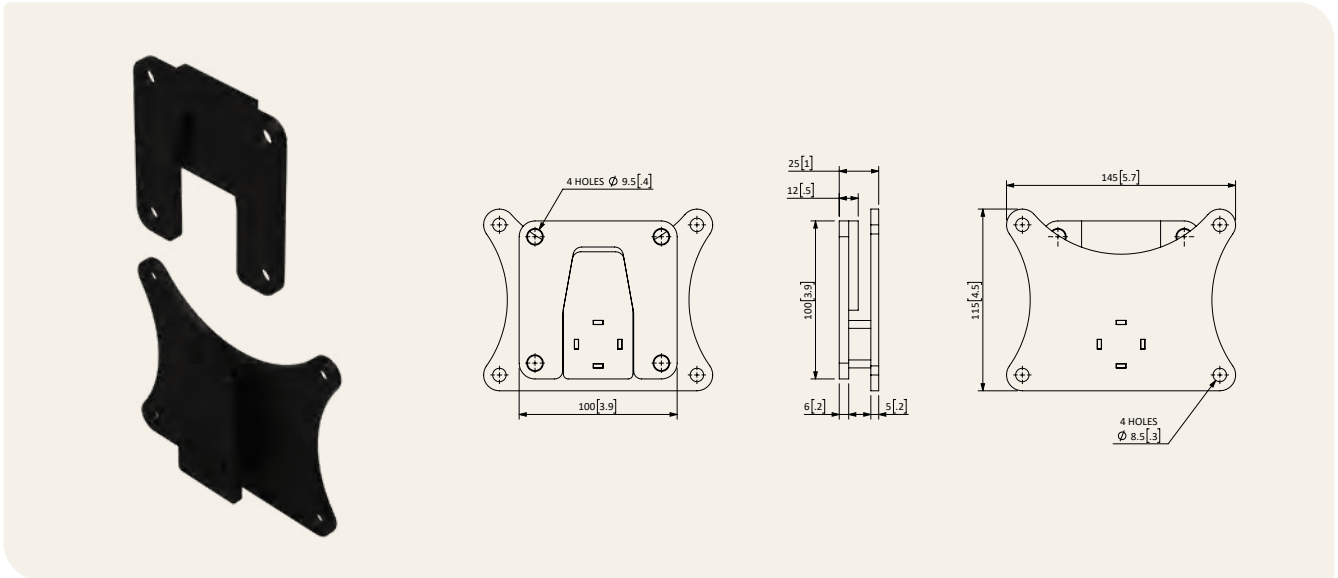
## For Air 8.1

IT3031 T51 Wall Bracket ● Black  
 IT2992 T51 Wall Bracket ○ White



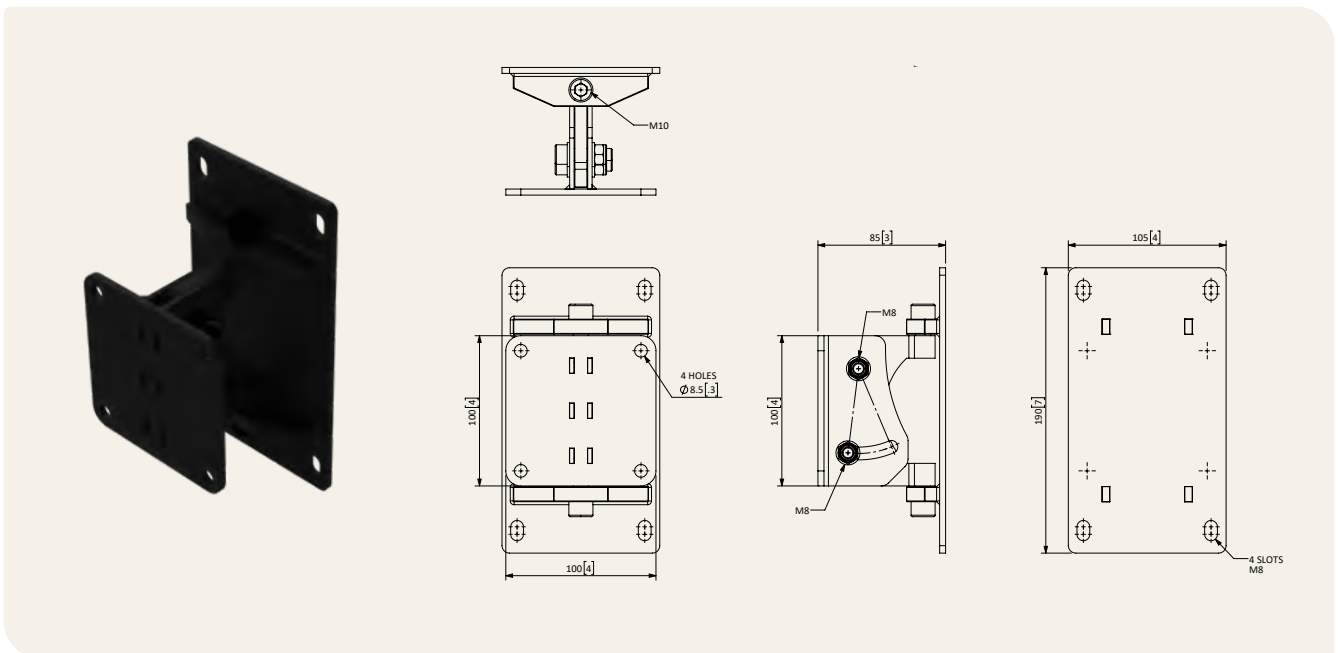
## For Air 12

IT6206 Flush Bracket ● Black



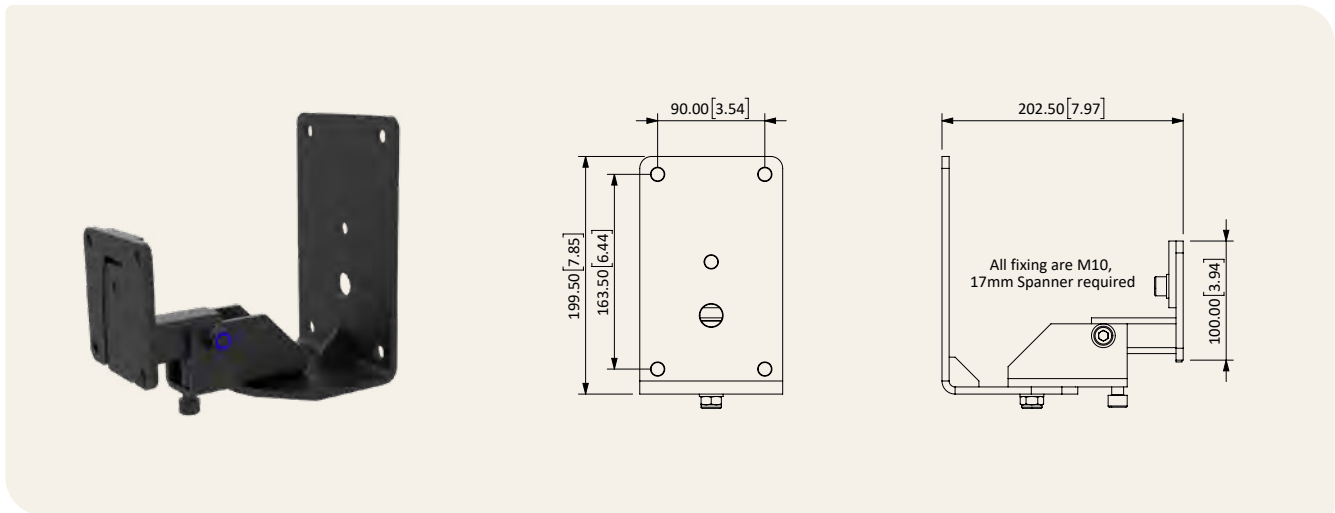
## For Air 12

IT6079 Tilt Bracket ● Black



### For Air 12

- IT1114 T80XL Wall Bracket ● Black
- IT1115 T80XL Wall Bracket ○ White

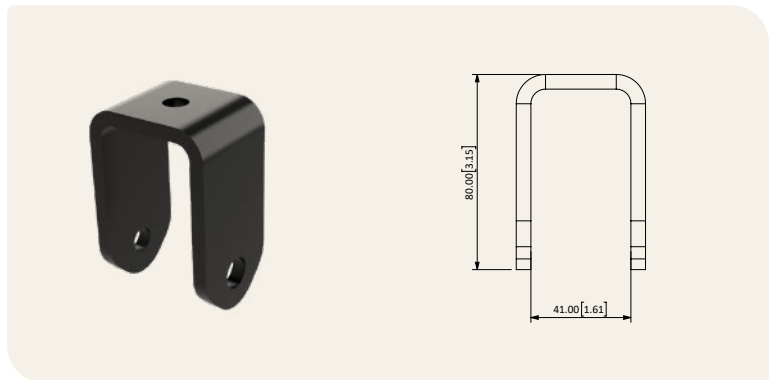


# Stud Brackets

Stud brackets offer an additional level of flexibility when mounting Air Series loudspeakers. Please note, the stud bracket is supplied with the Tri Motion as standard and is offered here as a replacement part. Multi brackets also ship with stud brackets.

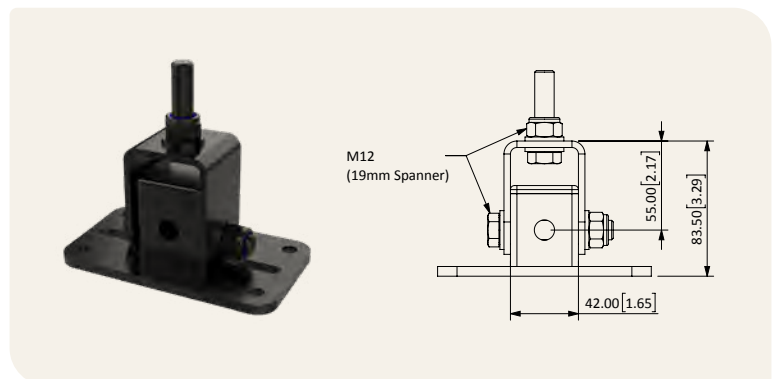
## For Air Motion & Tri Motion

- IT1083 TU Stud Bracket ● Black
- IT1085 TU Stud Bracket ○ White
  
- IT5990 TU Stud Bracket ● Black  
- Weatherised
- IT5991 TU Stud Bracket ○ White  
- Weatherised



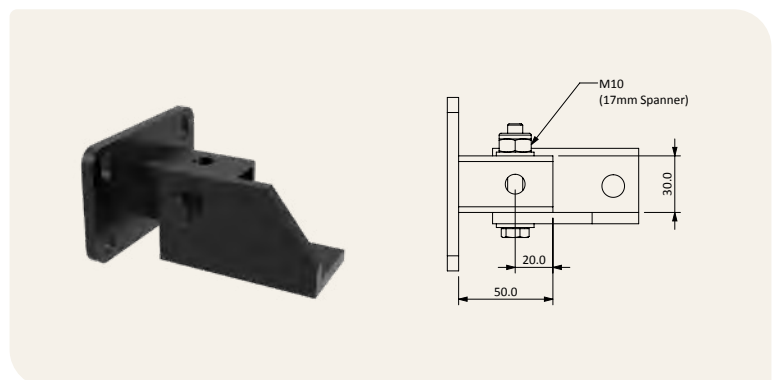
## For Air Vantage & Airten V3

- IT1125 T75 Stud Bracket ● Black
- IT1126 T75 Stud Bracket ○ White



## For Air 8.1

- IT3438 T51 Stud Bracket ● Black
- IT3439 T51 Stud Bracket ○ White



# Flight Cases

Flagship Air Motion, Tri Motion, Air Vantage and Air 15 all ship in cases as standard. A custom case for the Airten V3 is also available to protect your new Void loudspeakers.

## For Airten V3

IT3340 Airten V3 Dual Flight Case

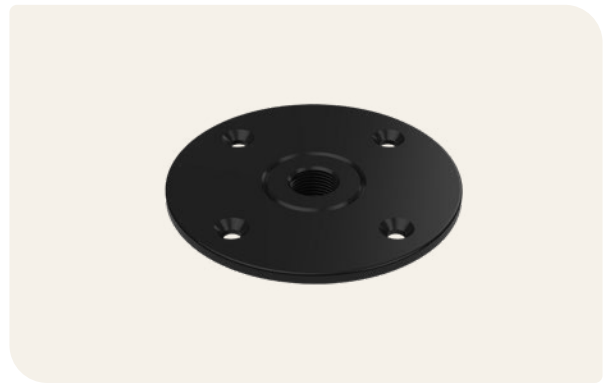


# Subwoofer Accessories

## For Sub Vantage & Stasys Xair

Top hats come as standard

- IT2041 M20 Heavy Duty Top Hat ● Black  
IT2042 M20 Heavy Duty Top Hat ○ White



## For Sub Vantage

- IT3223 Dolly Board - Sub Vantage ● Black  
IT3225 Protective Cover - Sub Vantage ● Black

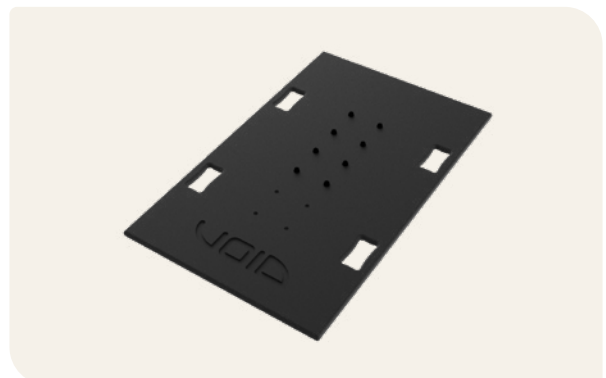


## For Stasys Xair

- IT1591 Mounting Board - Xair ● Black  
IT3225 Mounting Board - Xair ○ White

[Multi Bracket](#) is required and sold separately

- IT1153 Protective Cover - Xair  
IT1928 Swivel Wheel - Black (4 pcs required)





# Amplifiers

Touch Control 18 >

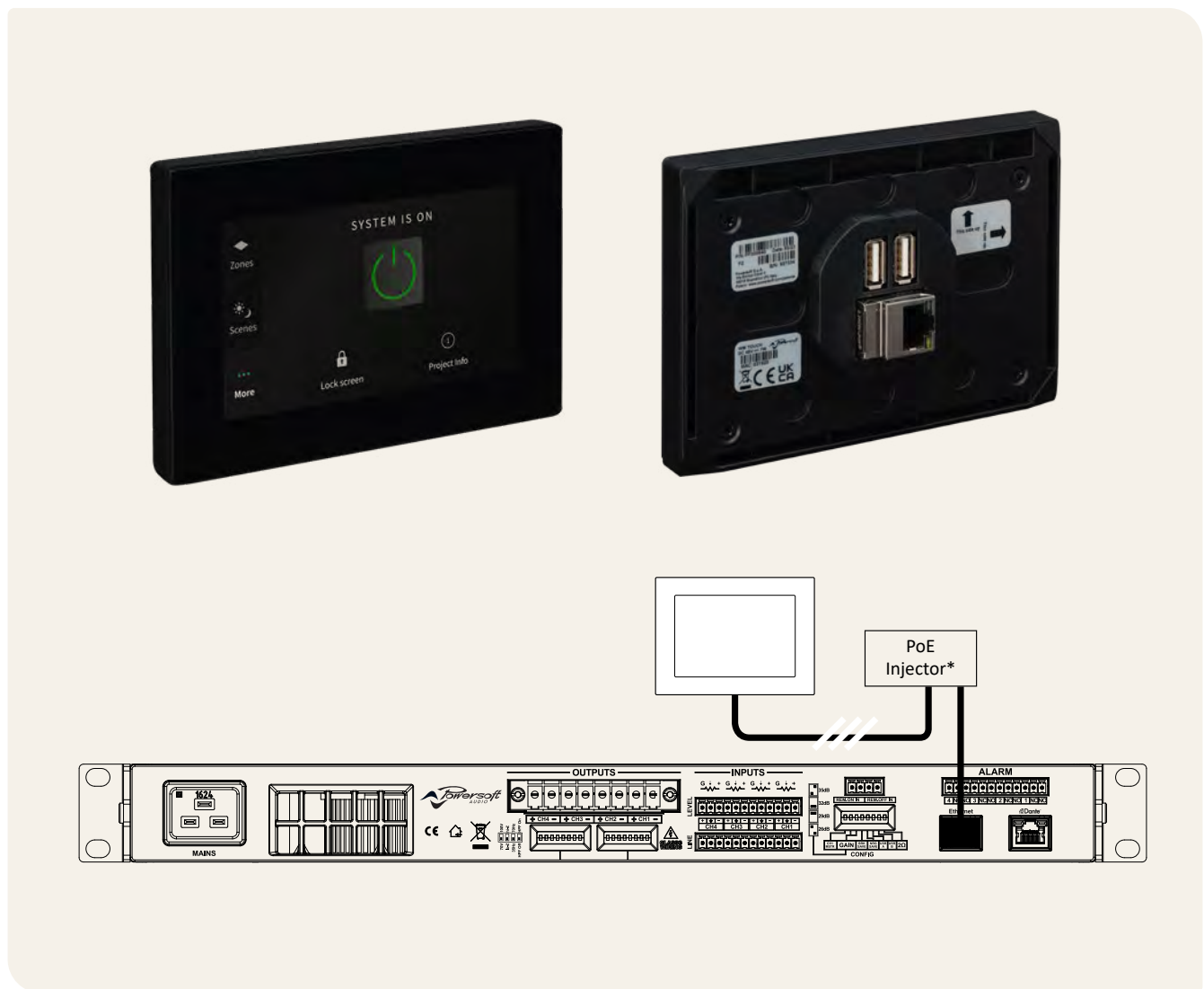
Mounting Options 19 >

Patch Panels 20 >

# Touch Control

Touch controls are compatible with all Bias series amplifiers except Bias Q3 and PoE is required.

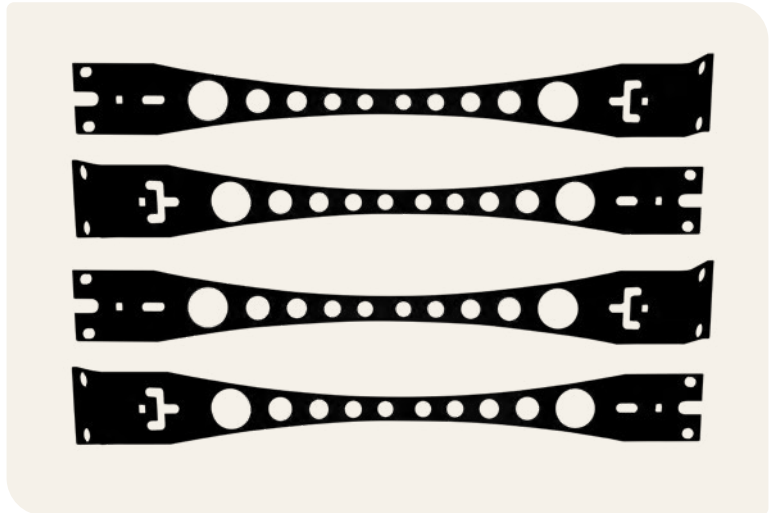
- IT3613 WM Touch - Touch Screen Control Panel ● Black
- IT3614 WM Touch - Touch Screen Control Panel ○ White



# Mounting Options

Rack ears are included with all 19" series amplifiers and are also available as a spare parts. Additional mounting options are available for the half rack Inca 500.

**IT4492** Bias D1+, Q1+, Q1.5+ and Q2+



**IT4457** Inca 500 Rack Mount Kit



**IT4458** Inca 500 Wall/  
Desktop Mount Kit

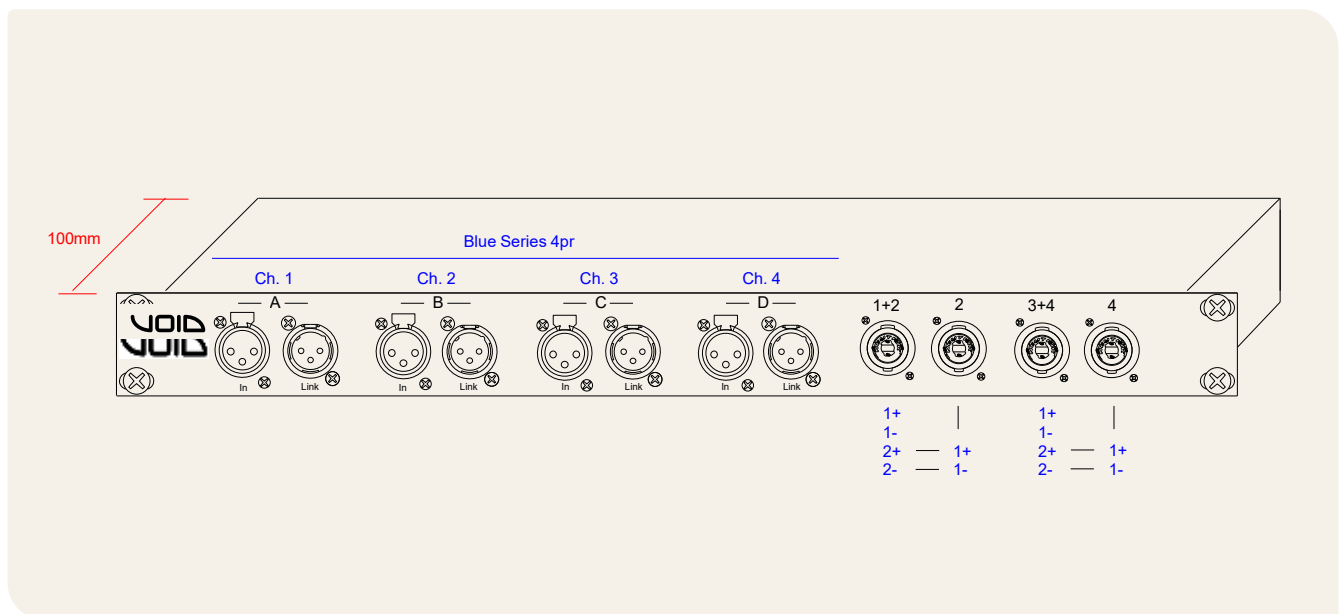


# Patch Panels

Void patch panel brings 4in 4out to a convenient location on your rack, ideal for permanent installations or touring.

## For Bias D1+, Q1+, Q1.5+ & Q2+

IT2098 Bias Patch Panel

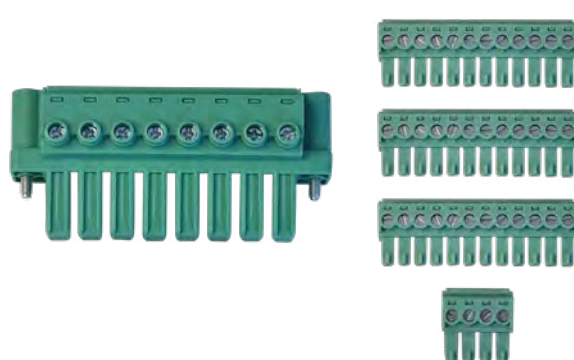


### Associated products:

IT2204 Bias D1+ Connector Kit



IT2205 Bias Q1+, Q1.5+, Q2+ Connector Kit





# Arcline Series

Pole Brackets 22 >

Ceiling Brackets 23 >

Wall Brackets 24 >

Stud Brackets 25 >

Fly Frames 26 >

Rigging 28 >

Flight Cases 29 >

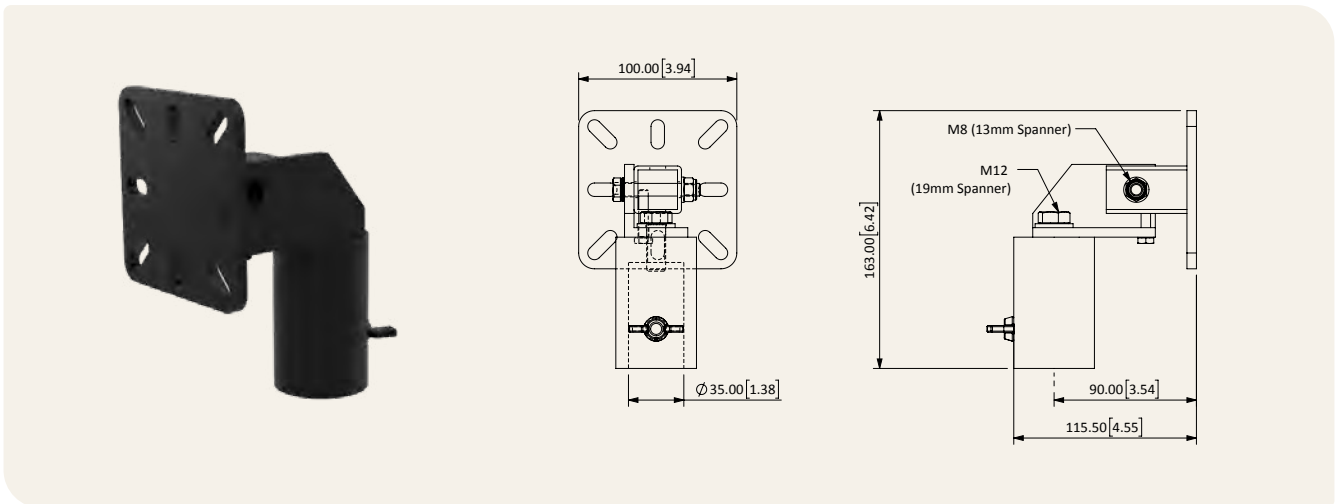
Subwoofer Accessories 31 >

# Pole Brackets

ArcM Series loudspeakers feature an integrated pole mount to orient them vertically, an additional pole bracket is available to orient them horizontally, providing a standard 35mm internal diameter mounting hole compatible with a wide range of poles and stands.

## For ArcM 12 & ArcM 15

- IT3725 T80 Pole Bracket Kit ● Black  
 IT3726 T80 Pole Bracket Kit ○ White

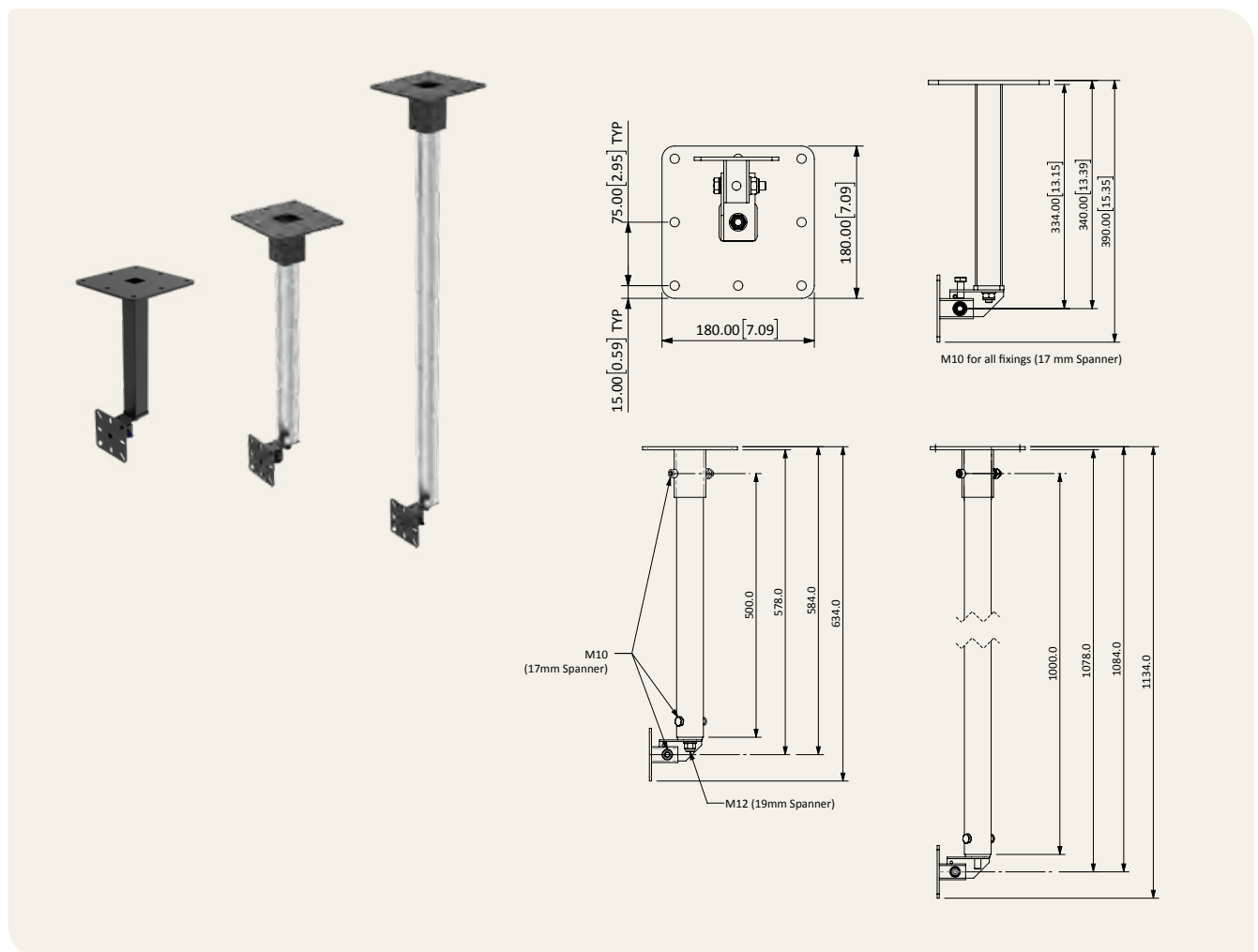


# Ceiling Brackets

Ceiling brackets are available in a variety of lengths offering complete flexibility for a wide range of environments.

## For ArcM 12 & ArcM 15

<b>IT3371</b>	T80 Ceiling Bracket (1000mm)	● Black
<b>IT3372</b>	T80 Ceiling Bracket (1000mm)	○ White
<b>IT2814</b>	T80 Ceiling Bracket (500mm)	● Black
<b>IT2815</b>	T80 Ceiling Bracket (500mm)	○ White
<b>IT1105</b>	T80 Ceiling Bracket (350mm)	● Black
<b>IT1106</b>	T80 Ceiling Bracket (350mm)	○ White

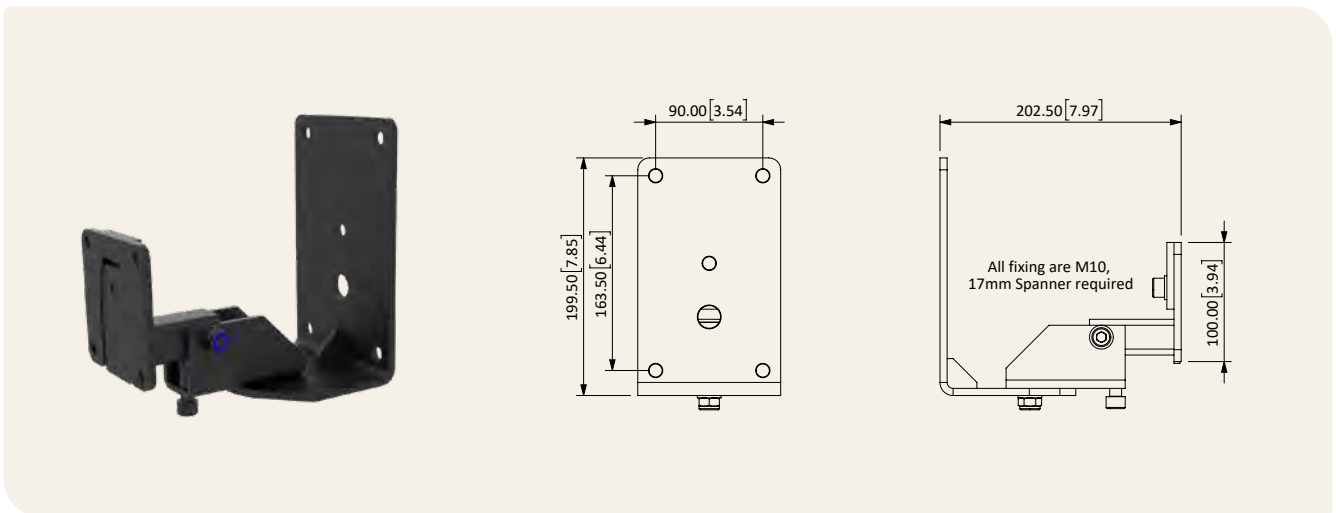


# Wall Brackets

Wall brackets are available for the Arcline Series offering installers a variety of swivel and tilt options.

## For ArcM 12 & ArcM 15

- IT1114 T80XL Wall Bracket ● Black  
IT1115 T80XL Wall Bracket ○ White



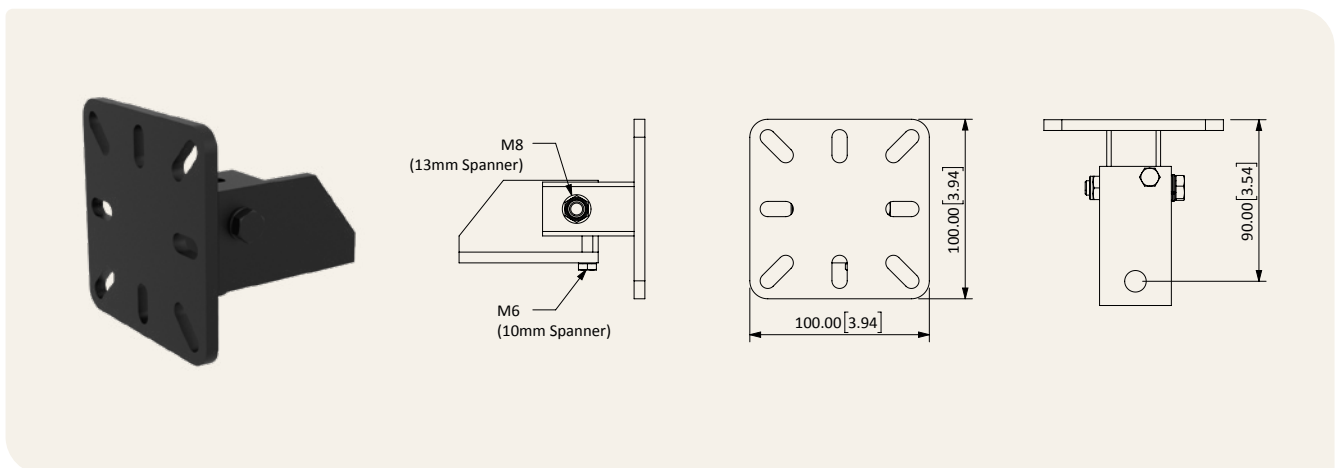
# Stud Brackets

Stud brackets offer an additional level of flexibility when mounting Arcline series loudspeakers.

## For ArcM 12 & ArcM 15

**IT3436** T80 Stud Bracket ● Black  
**IT3437** T80 Stud Bracket ○ White

**IT6040** T80 Stud Bracket - Weatherised ○ White

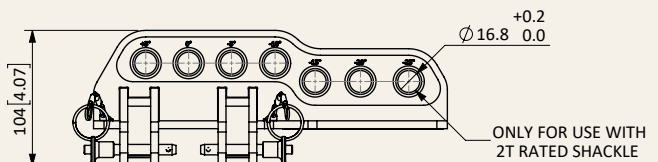
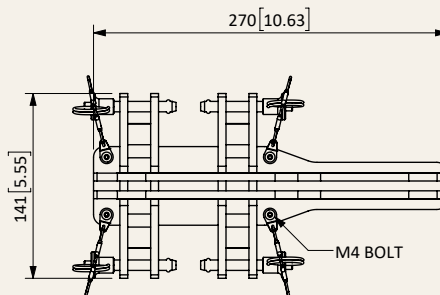
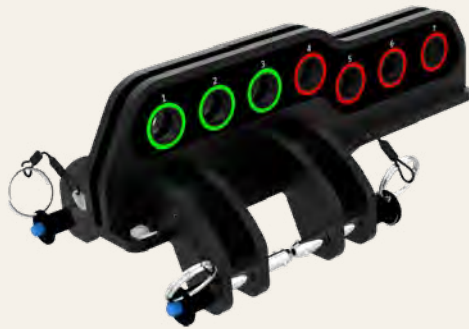


# Fly Frames

Dedicated flying frames and bars are available for Arclite and Arcline 8 products for easy set-up and safe lifting.

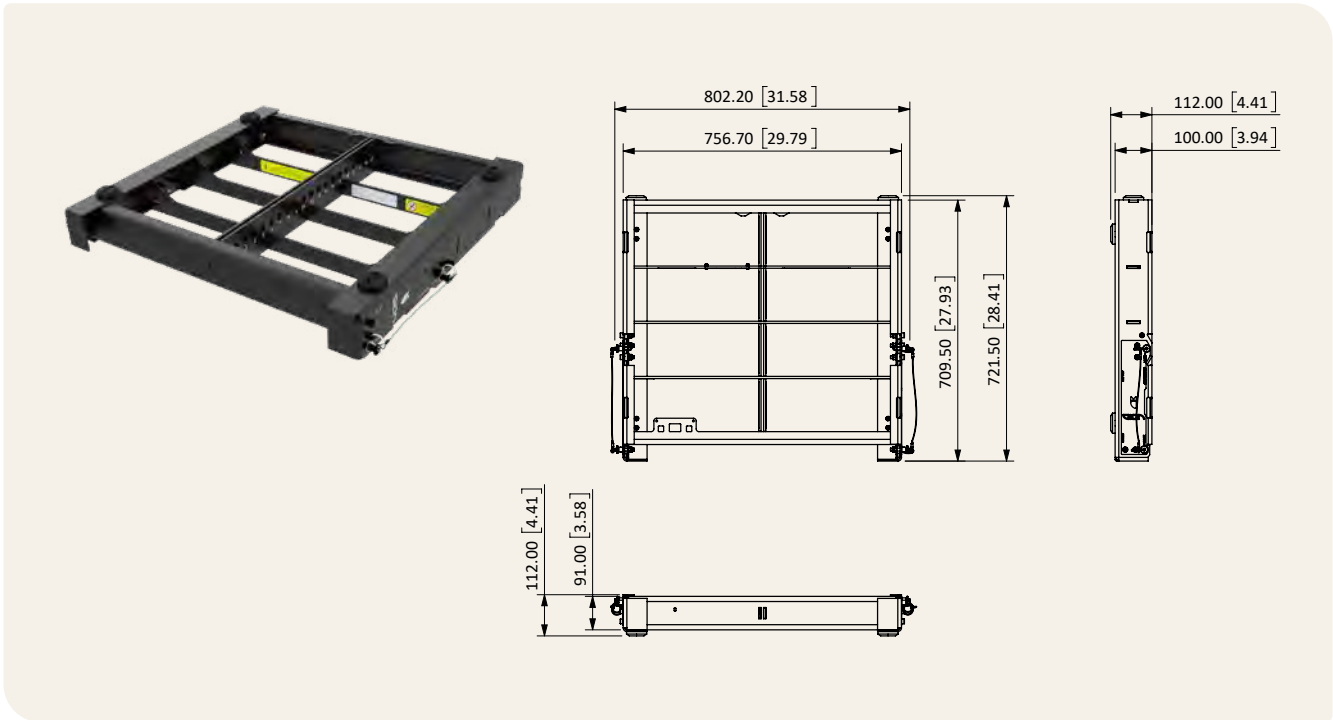
## For Arclite

IT4310 Vertical Fly Bar - Arclite ● Black



## For Arcline 8 & Arcline 212

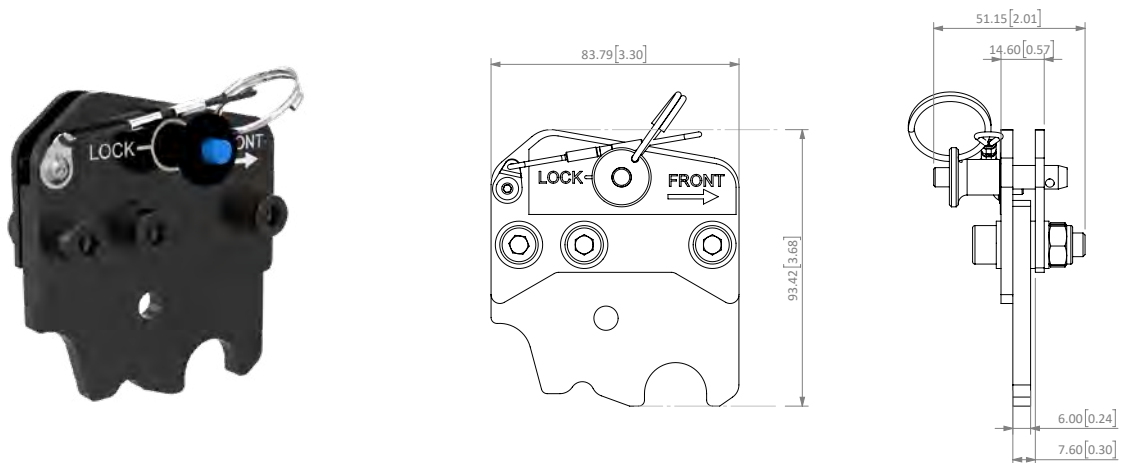
IT3197 Fly Frame - Arcline 8 ● Black



### Associated products:

Mirror-image stacking spacers are available to provide an extra 10° of tilt when required.

IT1832 Fly Frame Ground Stack Extension Bracket Set

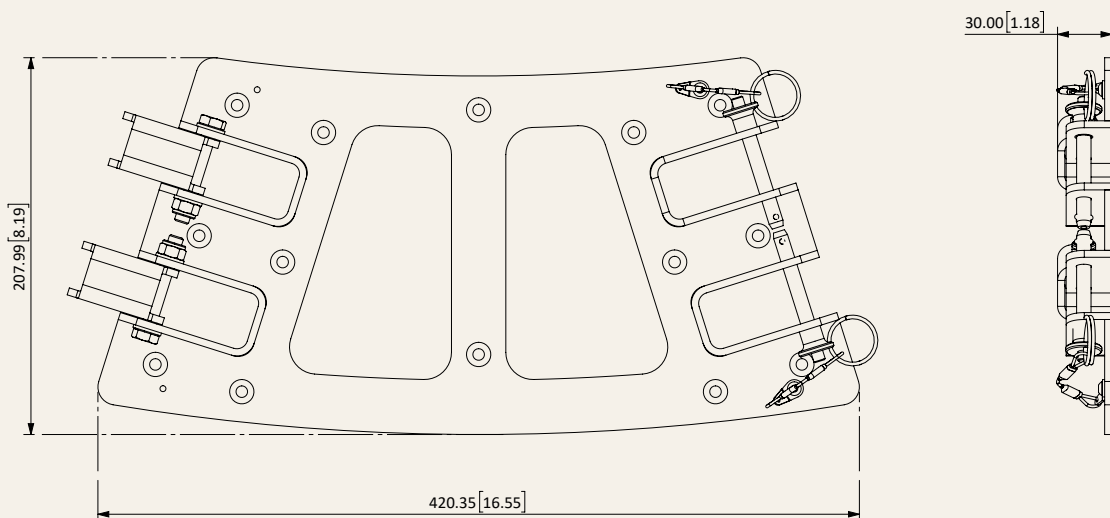
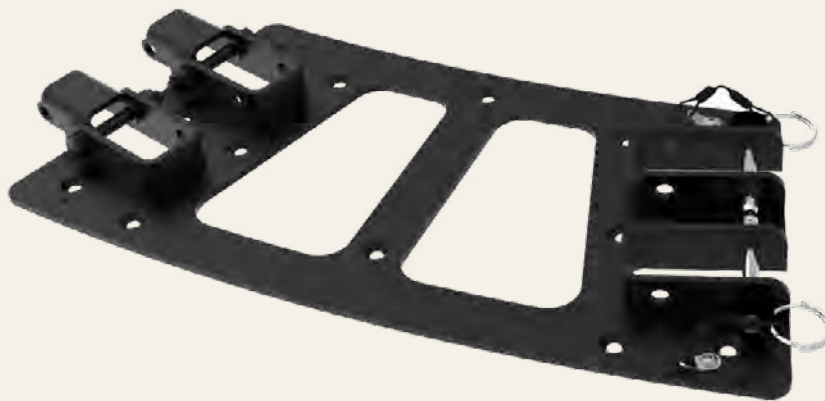


# Rigging

Rigging hardware for safely lifting Void Arclite loudspeakers.

## For Arclite

**IT4165** Arclite Top and Bottom Rigging Assembly (Two required, sold individually)



# Flight Cases

Give your loudspeakers the best possible protection with a dedicated flight case built specifically for safe transportation when frequently moving your equipment.

## For Arcline 8

**IT1198** Arcline 8 Flight Case (Holds 4)



## For Arcline 8 Fly Frame

**IT1197** Arcline 8 Fly Frame Flight Case  
(For transporting 2 pcs of Arcline 8 Fly Frames)



## For Arclite

**IT4253** Arclite Flight Case (Holds 2)



### For Arcline 212

IT2922 Arcline 212 Flight Case (Holds 2)



### For ArcM 12

IT3023 ArcM 12 Flight Case (Holds 2)



### For ArcM 15

IT3024 ArcM 15 Flight Case (Holds 2)

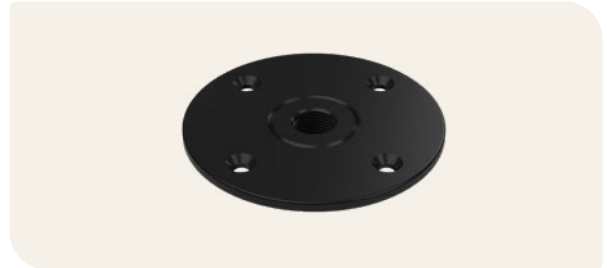


# Subwoofer Accessories

## For Arcline 118 & Arcline 218

Top hats come as standard

- IT2041 M20 Heavy Duty Top Hat ● Black
- IT2042 M20 Heavy Duty Top Hat ○ White



## For Arcline 118 & Arcline 218

- IT1928 Swivel Wheel - Black (4 pcs required)



## For Arcline 118

- IT2169 Protective Cover - Arcline 118 ● Black

## For Arcline 218

- IT2168 Protective Cover - Arcline 218 ● Black
- IT4053 Mounting Board - Arcline 218 ● Black

[Multi bracket](#) is required and sold separately



# Cyclone Series

Pole Brackets **33** >

Ceiling Brackets **35** >

Wall Brackets **37** >

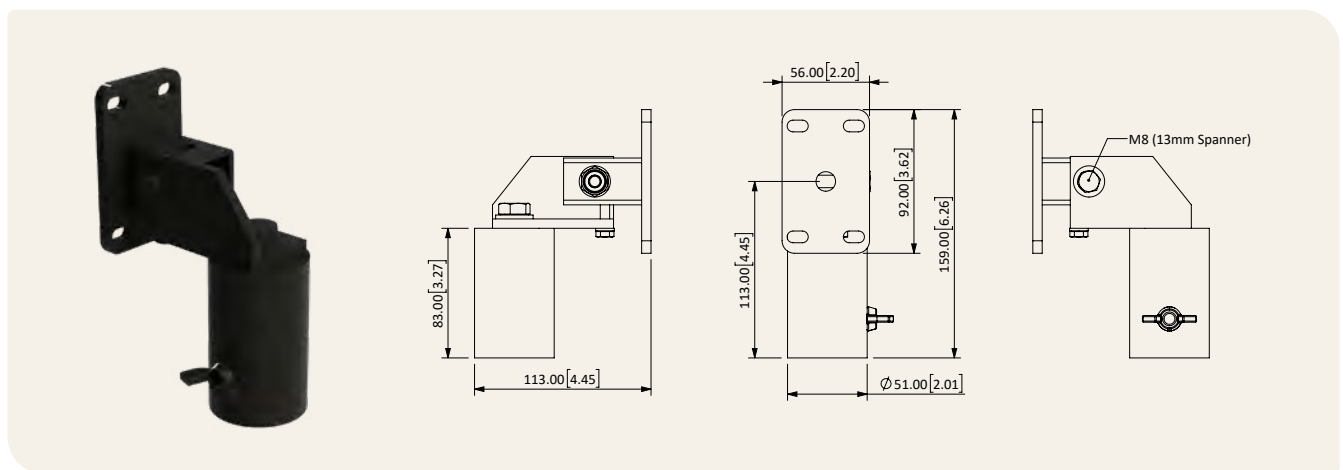
Stud Brackets **39** >

# Pole Brackets

Pole bracket accessories fit to the compatible loudspeaker and provide a standard 35mm internal diameter mounting hole, compatible with a wide variety of speaker stands, poles and other third party accessories.

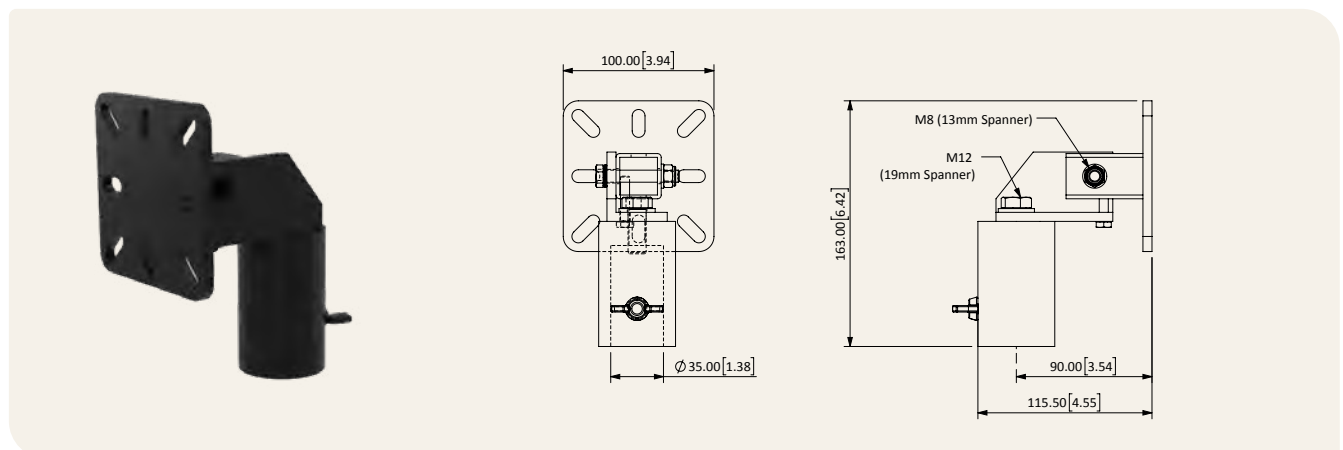
## For Cyclone 4 & Cyclone 55.1

- IT3727 T51 Pole Bracket Kit ● Black
- IT3728 T51 Pole Bracket Kit ○ White



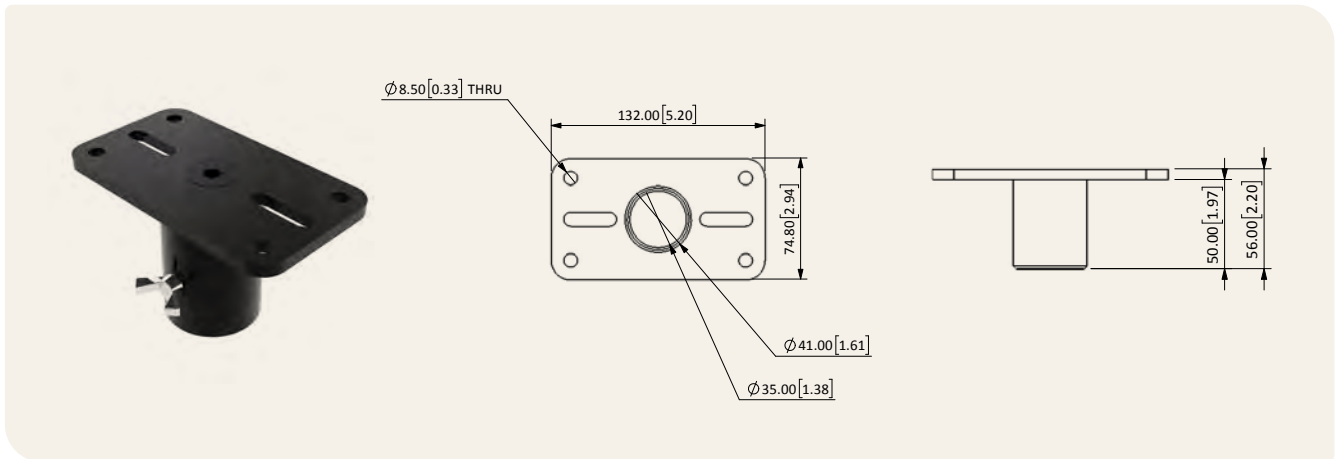
## For Cyclone 8 & Cyclone 10.1

- IT3725 T80 Pole Bracket Kit ● Black
- IT3726 T80 Pole Bracket Kit ○ White



## For Cyclone Bass.1

- IT1099 T75 Pole Bracket ● Black
- IT1102 T75 Pole Bracket ○ White

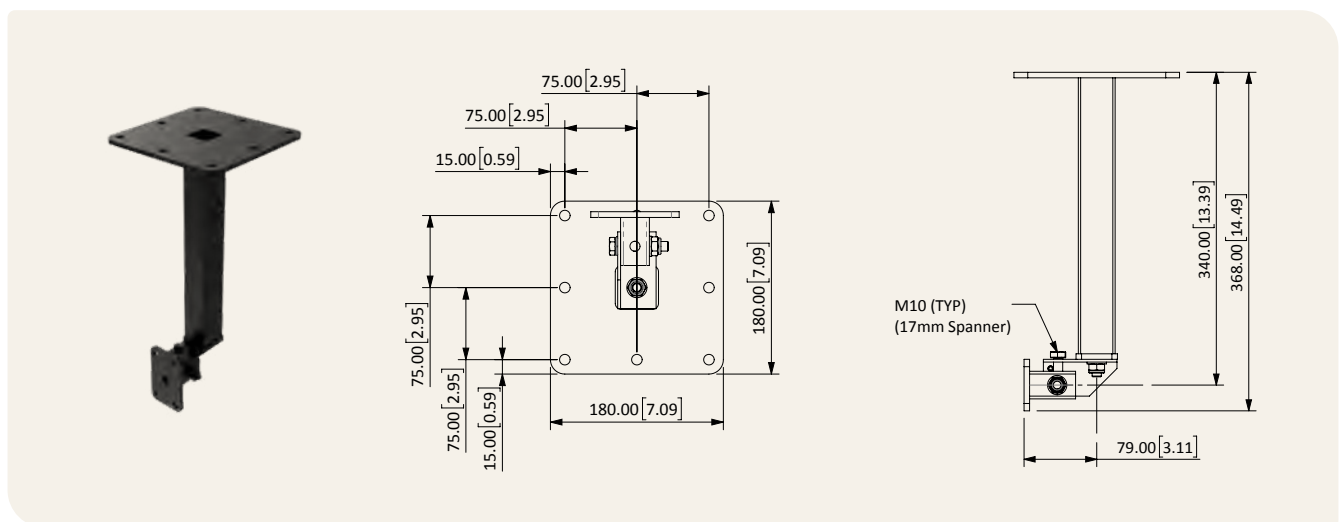


# Ceiling Brackets

Ceiling brackets are available in a variety of lengths offering complete flexibility for a wide range of environments.

## For Cyclone 4 & Cyclone 55.1

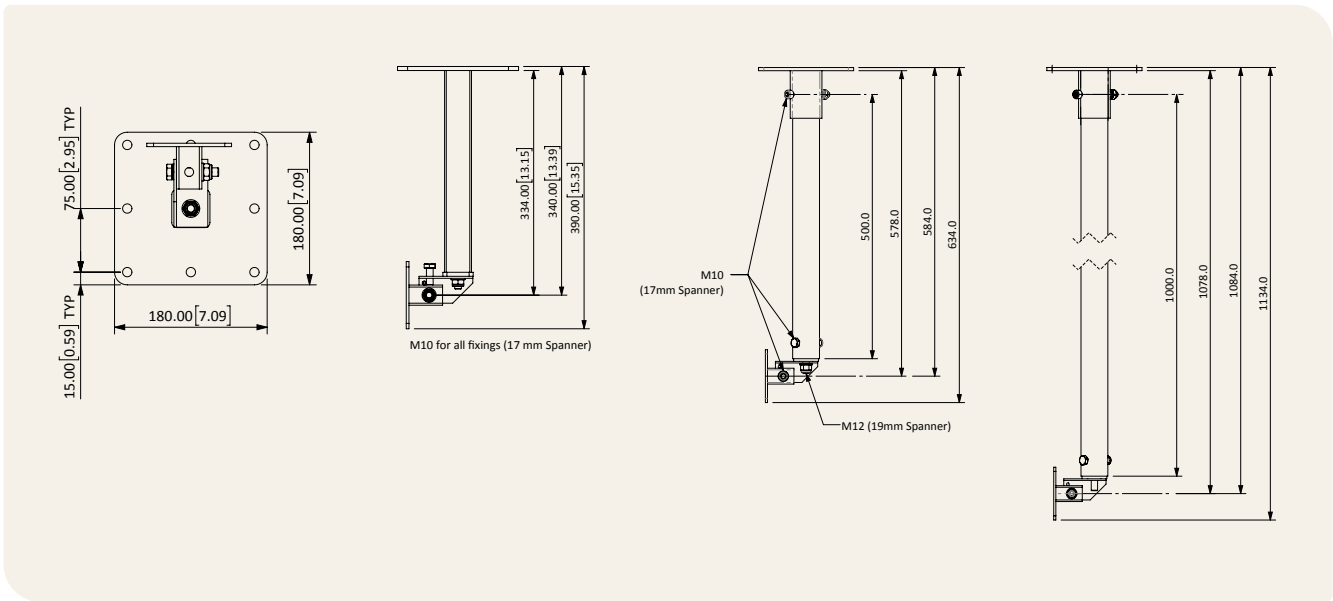
- IT3354 T51 Ceiling Bracket (350mm) ● Black
- IT3802 T51 Ceiling Bracket (350mm) ○ White



## For Cyclone 8 & Cyclone 10.1

- IT3371 T80 Ceiling Bracket (1000mm) ● Black
- IT3372 T80 Ceiling Bracket (1000mm) ○ White
- IT2814 T80 Ceiling Bracket (500mm) ● Black
- IT2815 T80 Ceiling Bracket (500mm) ○ White
- IT1105 T80 Ceiling Bracket (350mm) ● Black
- IT1106 T80 Ceiling Bracket (350mm) ○ White

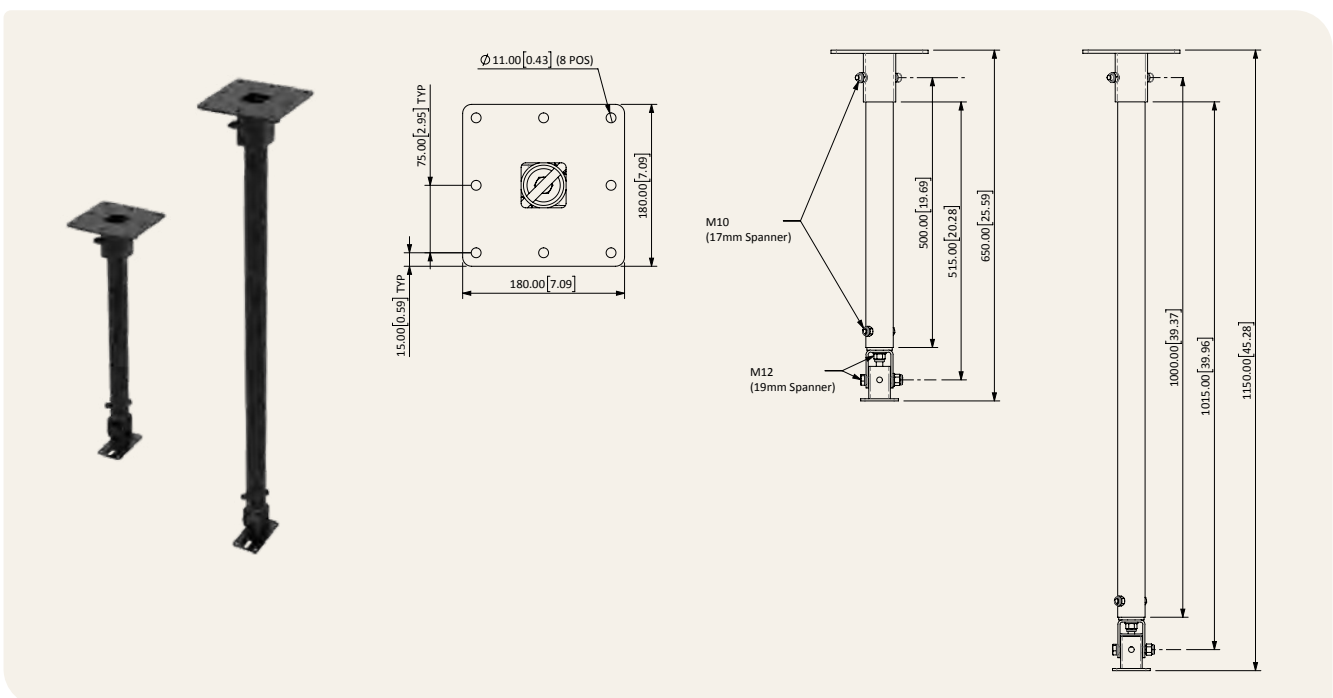




### For Cyclone Bass.1

- IT3217** T75 Ceiling Bracket (1000mm) ● Black
- IT3218** T75 Ceiling Bracket (1000mm) ○ White
- IT6289** T75 Ceiling Bracket (1000mm) ● Black  
- Weatherised
- IT6039** T75 Ceiling Bracket (1000mm) ○ White  
- Weatherised

- IT1140** T75 Ceiling Bracket (500mm) ● Black
- IT1905** T75 Ceiling Bracket (500mm) ○ White
- IT6290** T75 Ceiling Bracket (500mm) ● Black  
- Weatherised
- IT6291** T75 Ceiling Bracket (500mm) ○ White  
- Weatherised

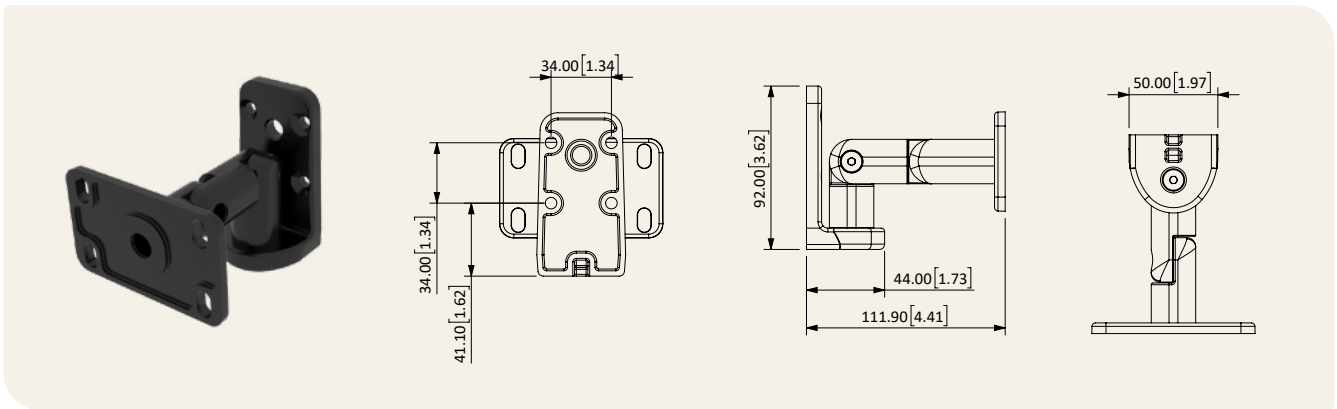


# Wall Brackets

Wall brackets are available for the Cyclone Series offering installers a variety of swivel and tilt options. Please note, the T51 wall bracket comes as standard with Cyclone 4 and 55.

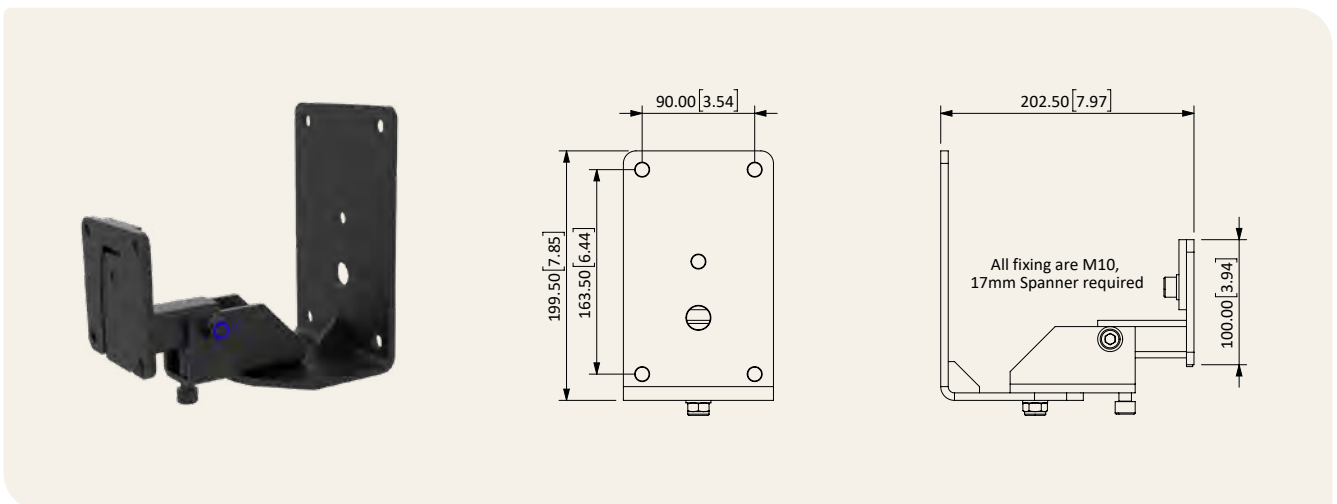
## For Cyclone 4 & Cyclone 55.1

- IT3031 T51 Wall Bracket ● Black
- IT2992 T51 Wall Bracket ○ White



## For Cyclone 8 & Cyclone 10.1

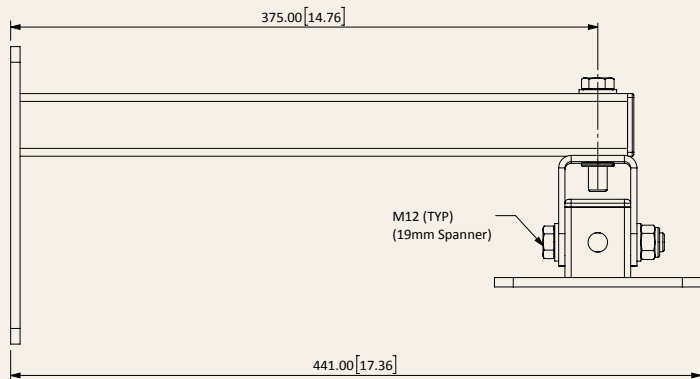
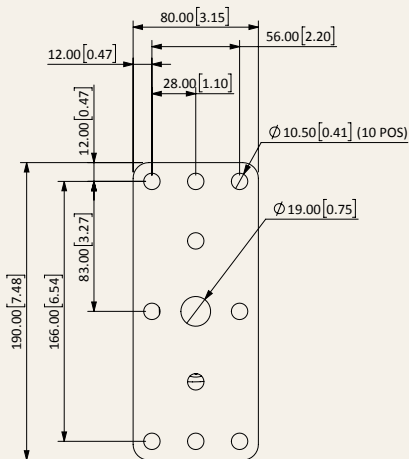
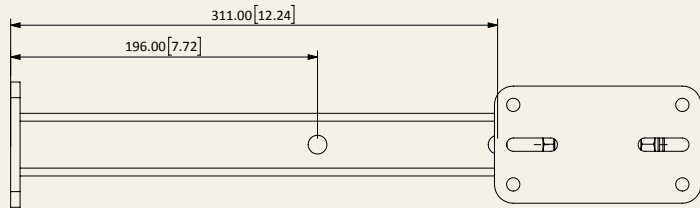
- IT1114 T80XL Wall Bracket ● Black
- IT1115 T80XL Wall Bracket ○ White



For Cyclone Bass.1

IT1132 T75 Wall Bracket ● Black  
 IT1133 T75 Wall Bracket ○ White

IT5881 T75 Wall Bracket - Weatherised ● Black  
 IT5989 T75 Wall Bracket - Weatherised ○ White

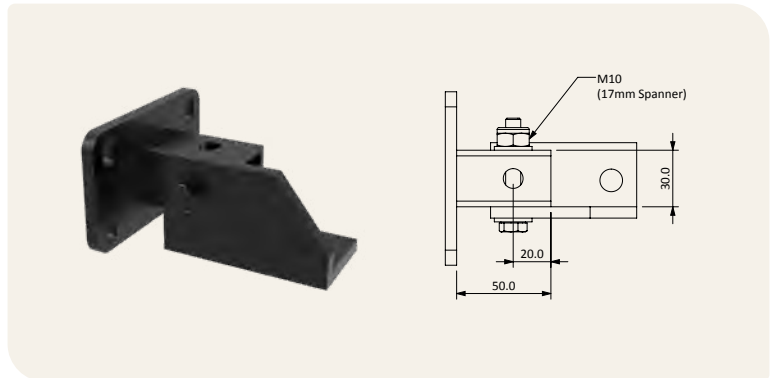


# Stud Brackets

Stud brackets offer an additional level of flexibility when mounting Cyclone Series loudspeakers.

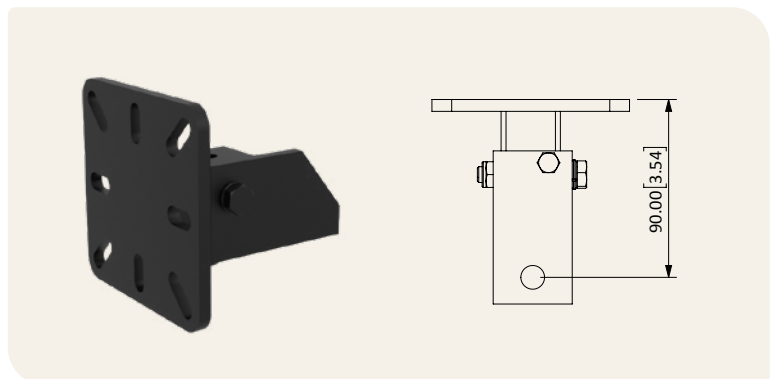
## For Cyclone 4 & Cyclone 55.1

- IT3438 T51 Stud Bracket ● Black
- IT3439 T51 Stud Bracket ○ White



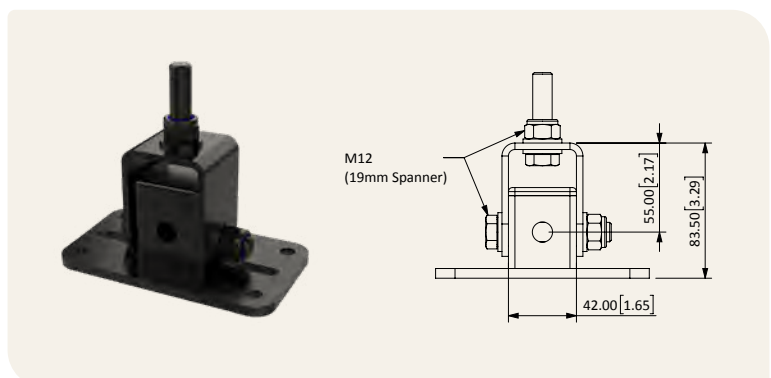
## For Cyclone 8 & Cyclone 10.1

- IT3436 T80 Stud Bracket ● Black
- IT3437 T80 Stud Bracket ○ White
- IT6040 T80 Stud Bracket - Weatherised ○ White



## For Cyclone Bass.1

- IT1125 T75 Stud Bracket ● Black
- IT1126 T75 Stud Bracket ○ White





# Incubus Series

Ground Stack Brackets 41 >

Swivel Wheels 42 >

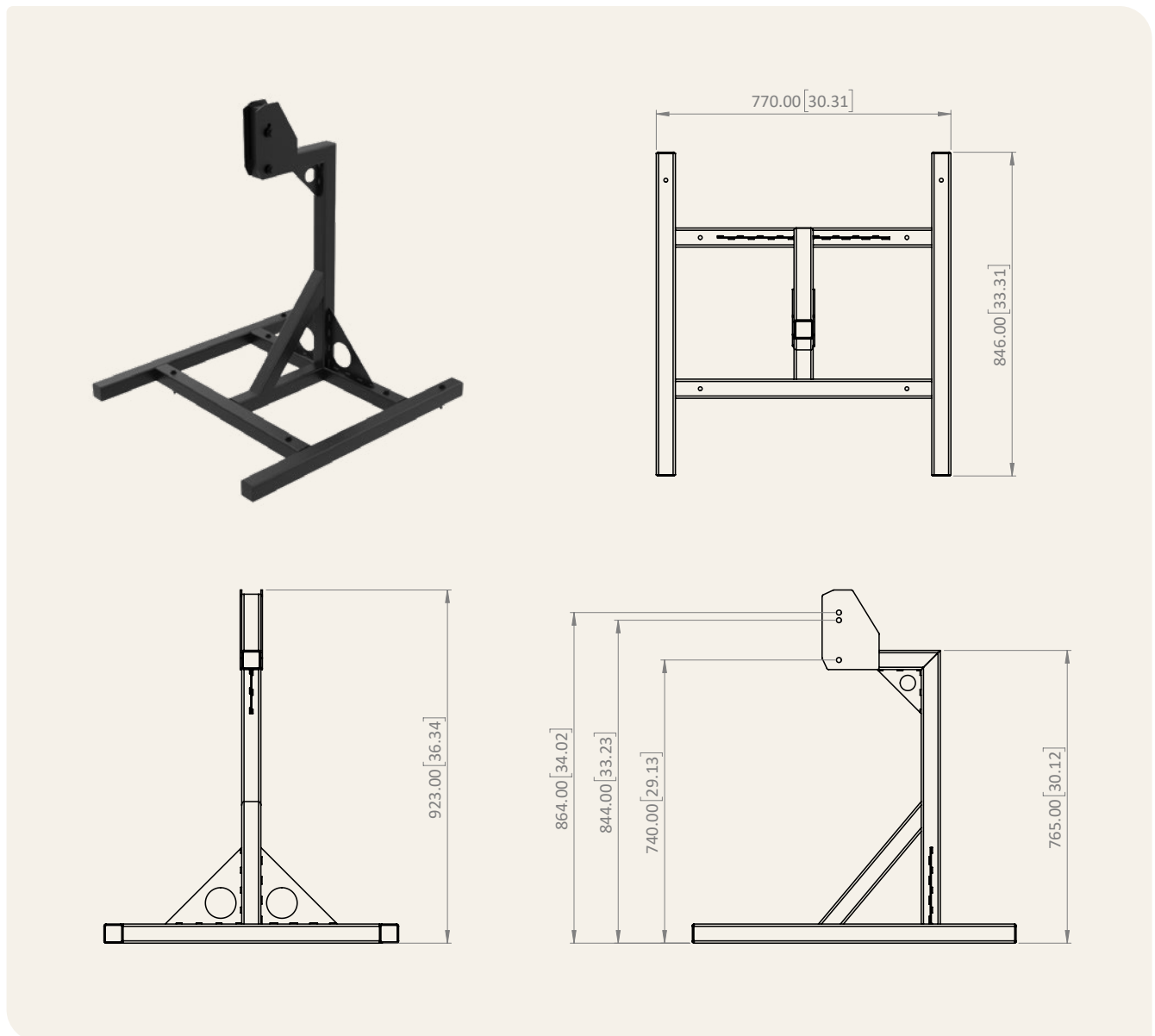
Protective Covers 42 >

# Ground Stack Brackets

The ground stack bracket for the Air Array offers four pre-set tilt options of 0°, -6°, -12° and -17°. Six bolt holes are included on the bottom of the H frame with corresponding threads on the Hyperfold that allows for the bracket to be bolted across two units for safety and to stop any vibrations from moving the frame and speaker position.

## For Air Array

IT2239 Air Array Ground Stack Bracket



# Swivel Wheels

Replacement swivel wheels are available for the Incubus and the Hyperfold subwoofers but are included as standard.

## For Hyperfold & Incubus Sub

**IT1928** Swivel Wheel - Black (Single)

# Protective Covers

Replacement covers are available for the Incubus and Hyperfold subwoofers, but are included as standard.

## For Hyperfold & Incubus Sub

**IT1145** Protective Cover - Hyperfold

**IT1146** Protective Cover - Incubus Sub



# Indigo Series

System Brackets

44 >

Wall Brackets

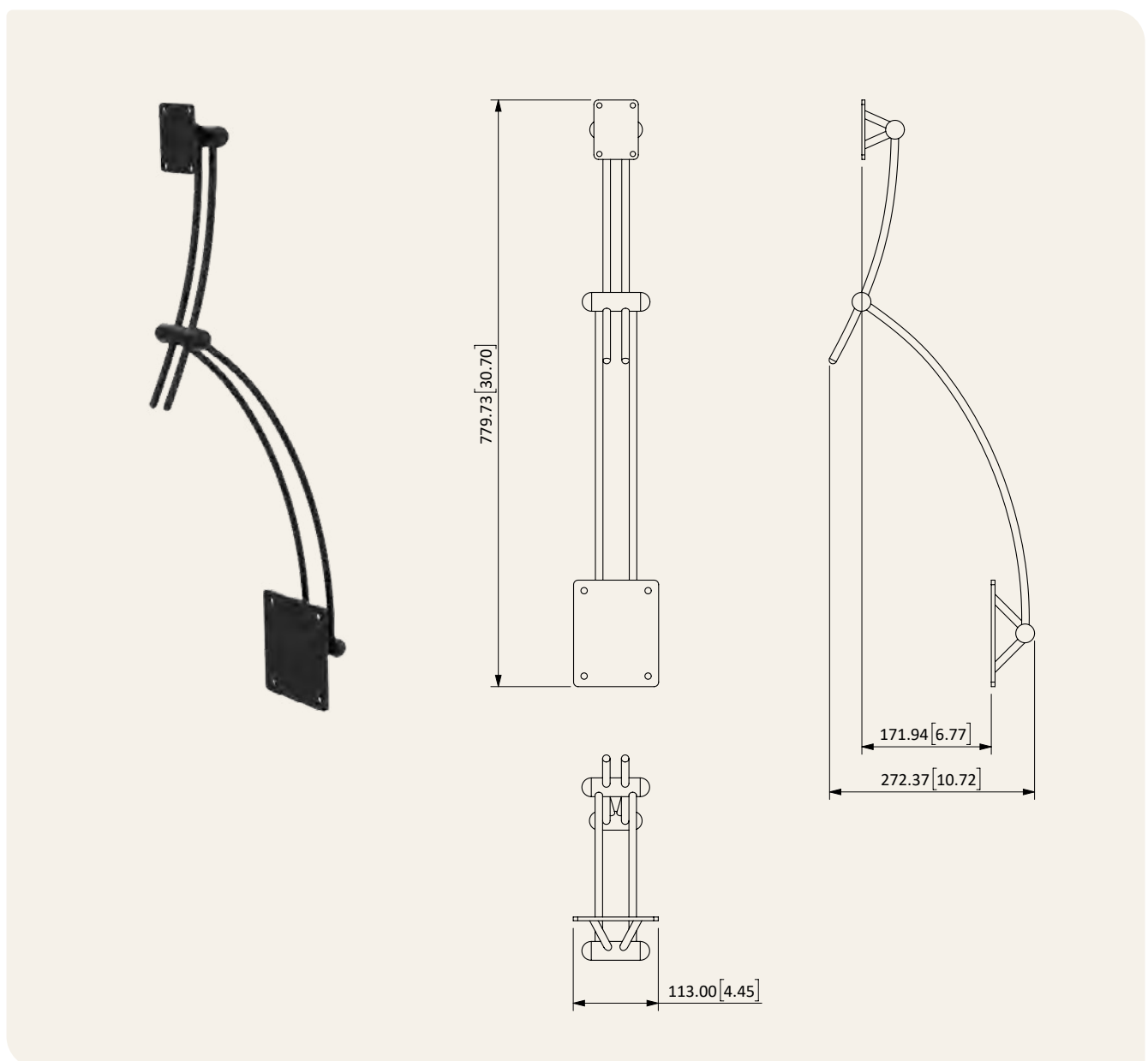
45 >

# System Brackets

Beautifully sculpted counter lever bracket for attaching the Indigo 6 Pro to the Indigo Sub.

## For Indigo 6 Pro & Indigo Sub

- IT1117 Indigo System Bracket ● Black
- IT1118 Indigo System Bracket ○ White

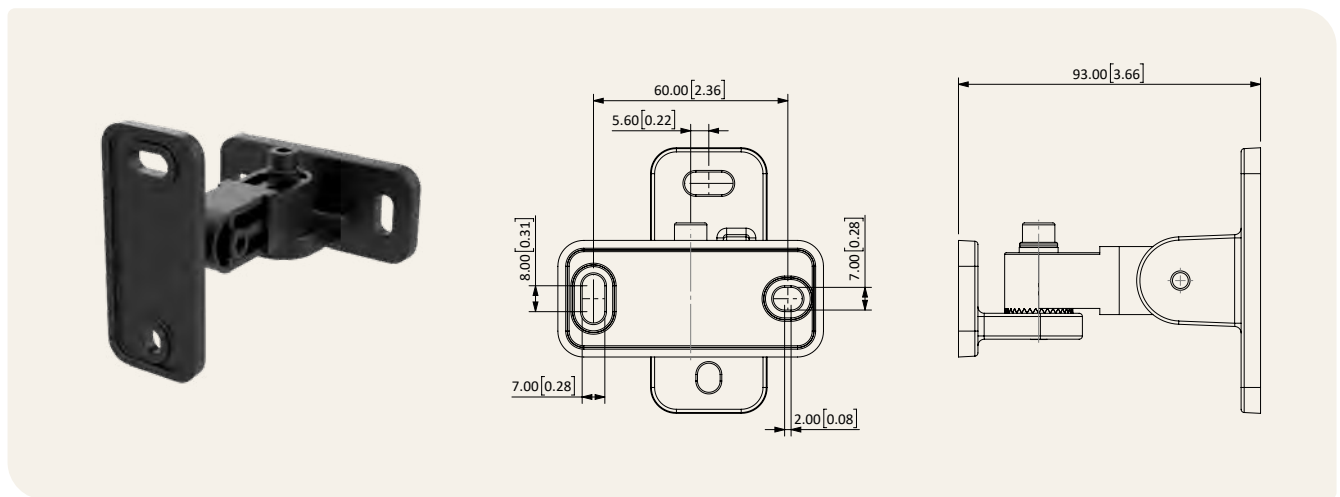


# Wall Brackets

Wall brackets come as standard with Indigo 6s and Indigo 6 Pro.

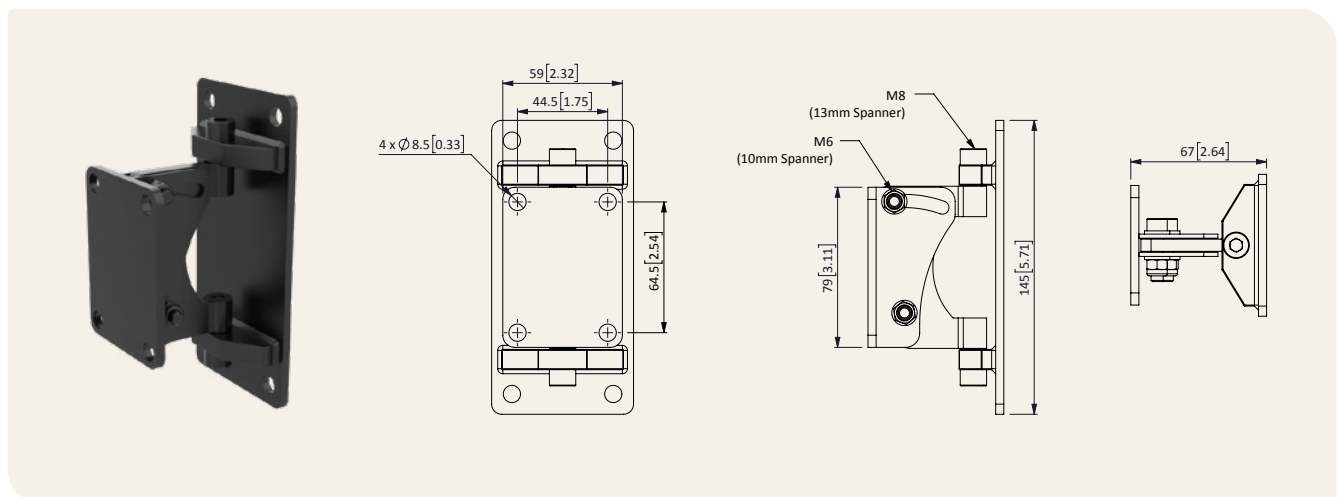
## For Indigo 6s

- IT1119 Indigo 6s Wall Bracket ● Black
- IT1120 Indigo 6s Wall Bracket ○ White



## For Indigo 6 Pro

- IT2630 Indigo 6 Pro Wall Bracket ● Black
- IT2631 Indigo 6 Pro Wall Bracket ○ White





# Nexus Series

Ground Stack Brackets **47** >

Wall Brackets **48** >

Mounting Boards **49** >

Top Hats **49** >

Swivel Wheels **50** >

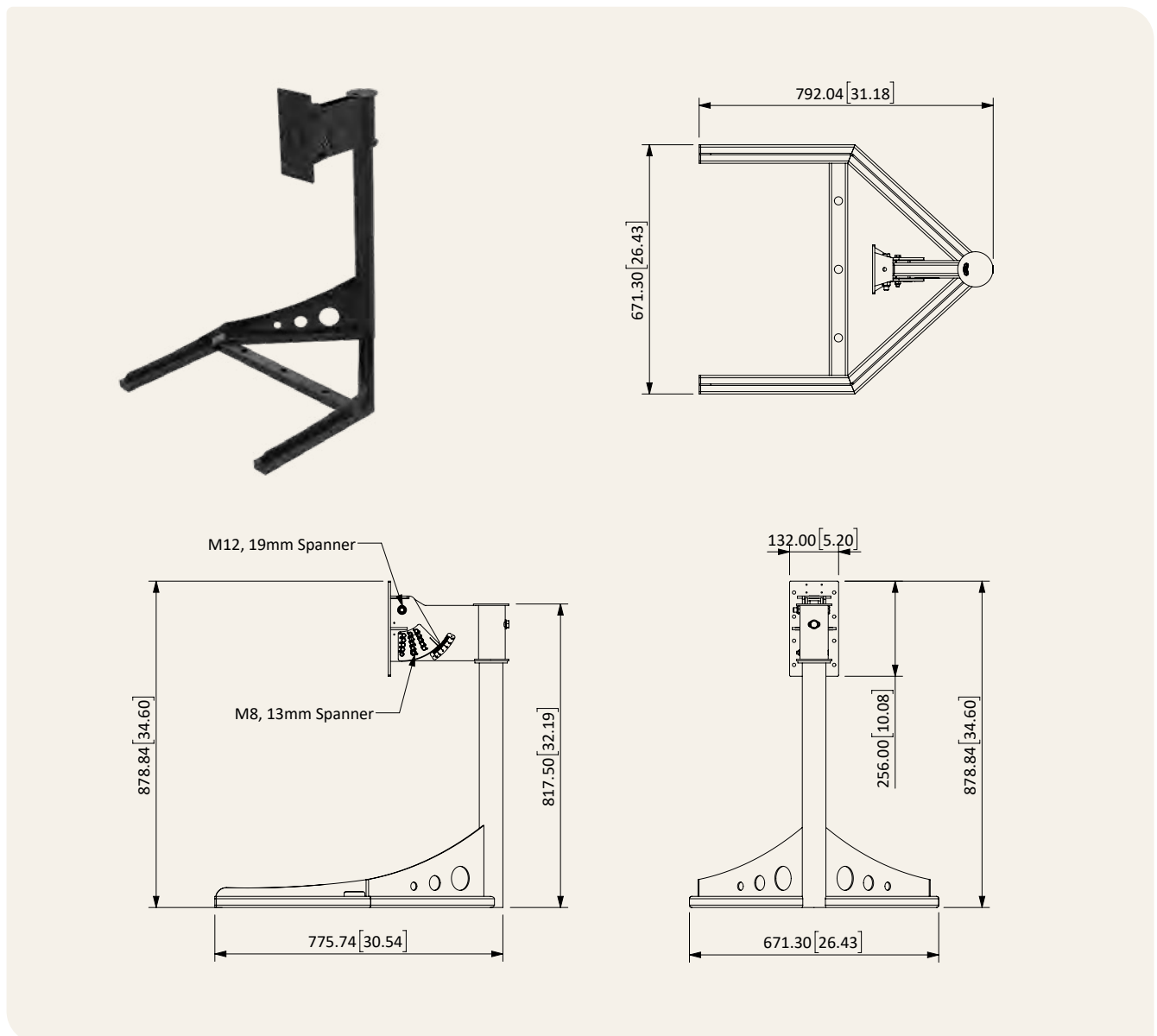
Protective Covers **50** >

# Ground Stack Brackets

The ground stack bracket for the Nexus 6 offers several tilt options from +9° to -15° in single degree increments (15 positions). The Nexus 6 ground stack bracket has continuously adjustable swivel (horizontal) angles from ± 15° Nexus 6 ground stack bracket features strap slits, enabling secure attachment to bass stacks.

## For Nexus 6

IT1122 Nexus 6 Ground Stack Bracket ● Black

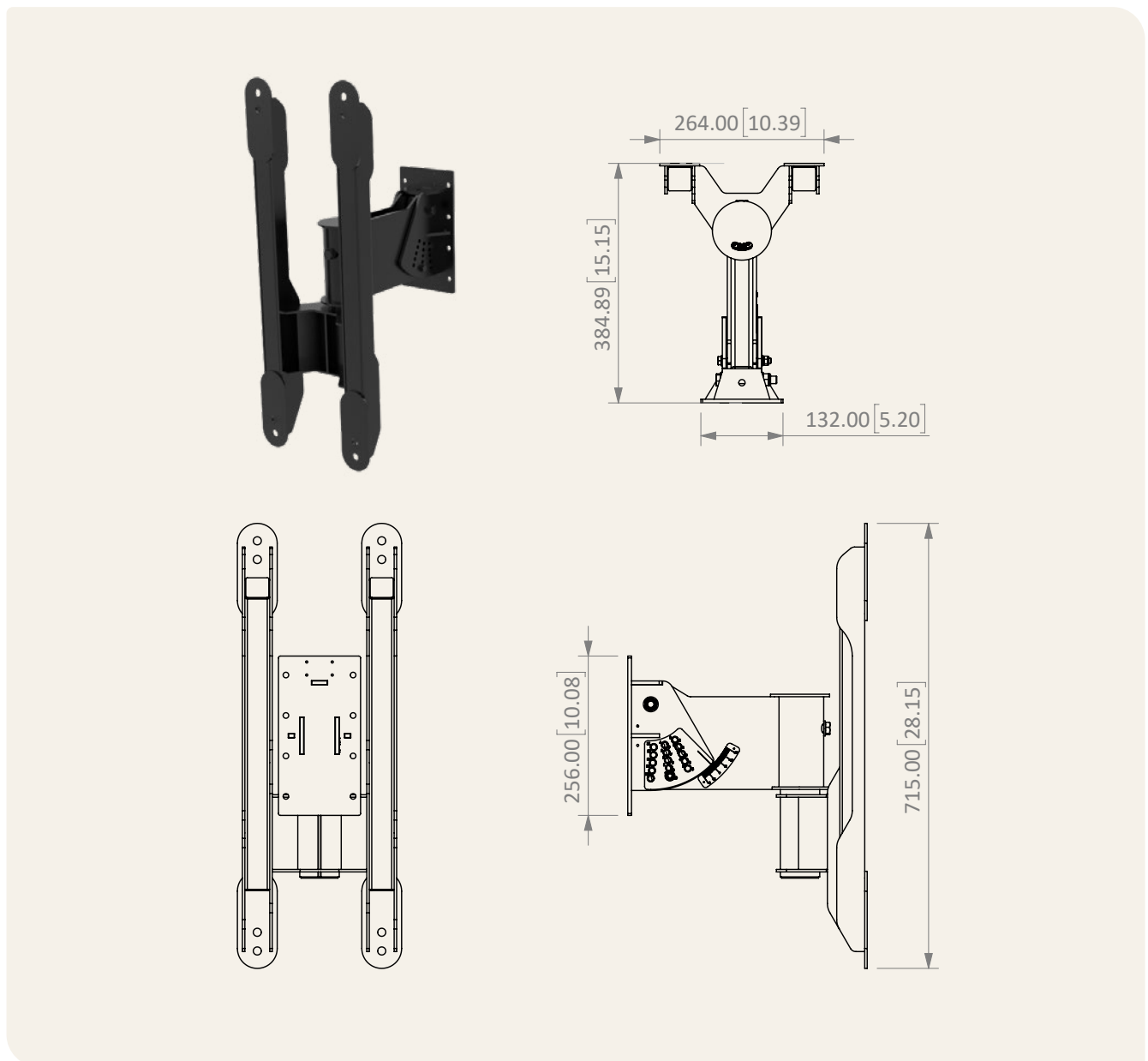


# Wall Brackets

The Nexus 6 wall bracket offers several tilt options from +9° to -15° in single degree increments (15 positions). The Nexus 6 ground stack bracket has continuously adjustable swivel (horizontal) angles from ± 15°.

## For Nexus 6

IT5980 Nexus 6 Wall Bracket ● Black



# Mounting Boards

Mounting boards are available for Nexus Series subwoofers when using in conjunction with Air Motion or Tri Motion.

## For Nexus Q, Nexus X & Nexus XL

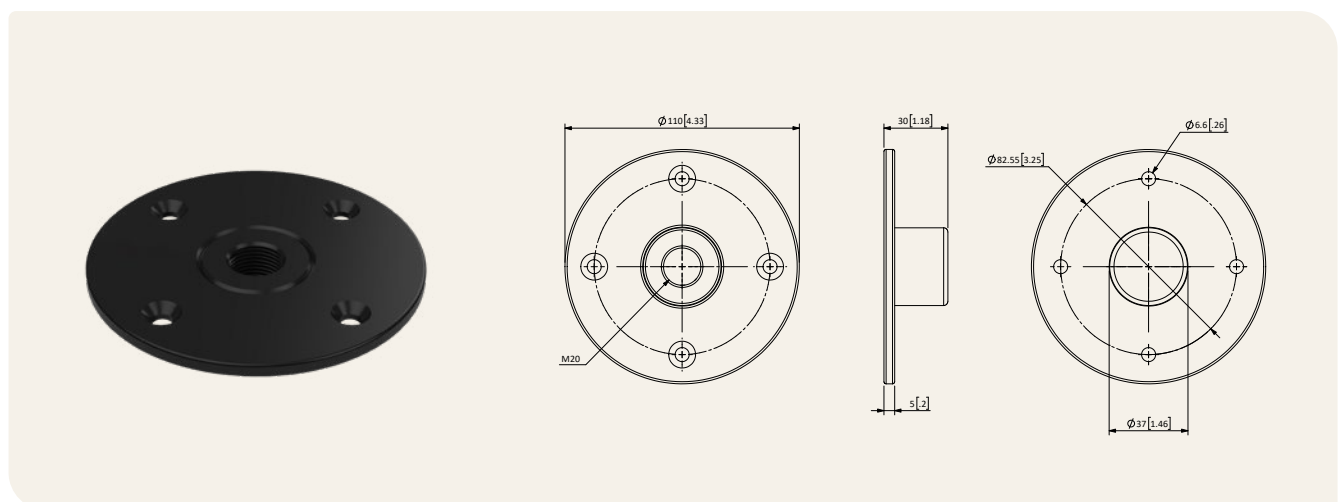
IT3156 Mounting Board - Nexus Q, Nexus X & Nexus XL ● Black

# Top Hats

## For Nexus XL

Top hats come as standard

IT2041 M20 Heavy Duty Top Hat ● Black  
 IT2042 M20 Heavy Duty Top Hat ○ White



# Swivel Wheels

For Nexus Q, Nexus X & Nexus XL

IT1928 Swivel Wheel (Single) ● Black

# Protective Covers

The following protective covers are available for the Nexus series:

For Nexus XL

IT1148 Protective Cover - Nexus XL

For Nexus Q

IT1844 Protective Cover - Nexus Q



# Stasys Series

Mounting Boards 52 >

Top Hats 52 >

Swivel Wheels 53 >

Protective Covers 53 >

# Mounting Boards

Mounting boards are available for Stasys Series subwoofers when using in conjunction with Air Motion or Tri Motion.

## For Stasys 218

- IT1597 Mounting Board - Stasys 218 ● Black  
IT1598 Mounting Board - Stasys 218 ○ White

[Multi Bracket](#) is required and sold separately

## For Stasys XV2

- IT1591 Stasys XV2/Air Mounting Board ● Black  
IT1592 Stasys XV2/Air Mounting Board ○ White

[Multi Bracket](#) is required and sold separately

# Top Hats

M20 threaded top hats are available for the Stasys Series subwoofers.

## For Stasys 118 & Stasys 218

Top hats come as standard

- IT1514 M20 Light Duty Top Hat ● Black  
IT1515 M20 Light Duty Top Hat ○ White



# Swivel Wheels

Swivel wheels are not included with Stasys Series subwoofers as standard (118, 218 and XV2)

## For Stasys 118, Stasys 218 & Stasys XV2

IT1928 Swivel Wheel (Single) ● Black

# Protective Covers

The following protective covers are available for the Stasys Series:

## For Stasys 118

IT1150 Protective Cover - Stasys 118

## For Stasys 218

IT1151 Protective Cover - Stasys 218

## For Stasys XV2

IT1153 Protective Cover - Stasys XV2



# Venu V2 Series

Top Hats 55 >

Ceiling Brackets 56 >

Wall Brackets 58 >

Yoke Brackets 60 >

Stud Brackets 65 >

Swivel Wheels 66 >

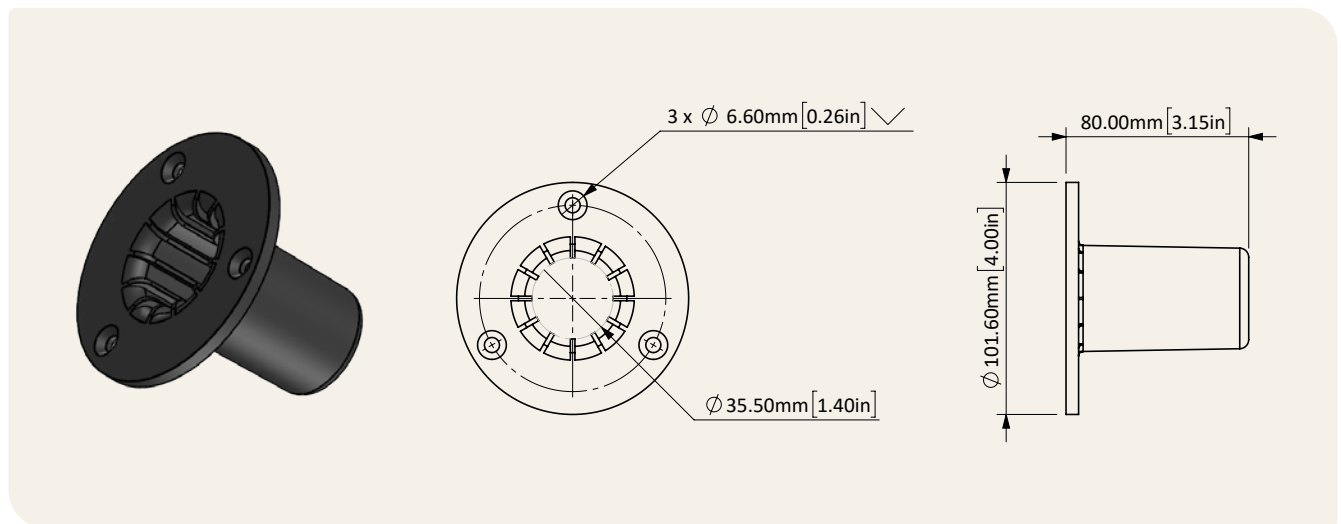
Protective Covers 66 >

# Top Hats

Venu V2 Series top hats provide a standard 35mm internal diameter mounting hole, compatible with a wide variety of speaker stands, poles and other third party accessories.

**For Venu 6 V2, Venu 8 V2, Venu 10 V2, Venu 12 V2, Venu 14 V2 & Venu 15 V2**

- IT3473 Top Hat  Black
- IT3474 Top Hat  White

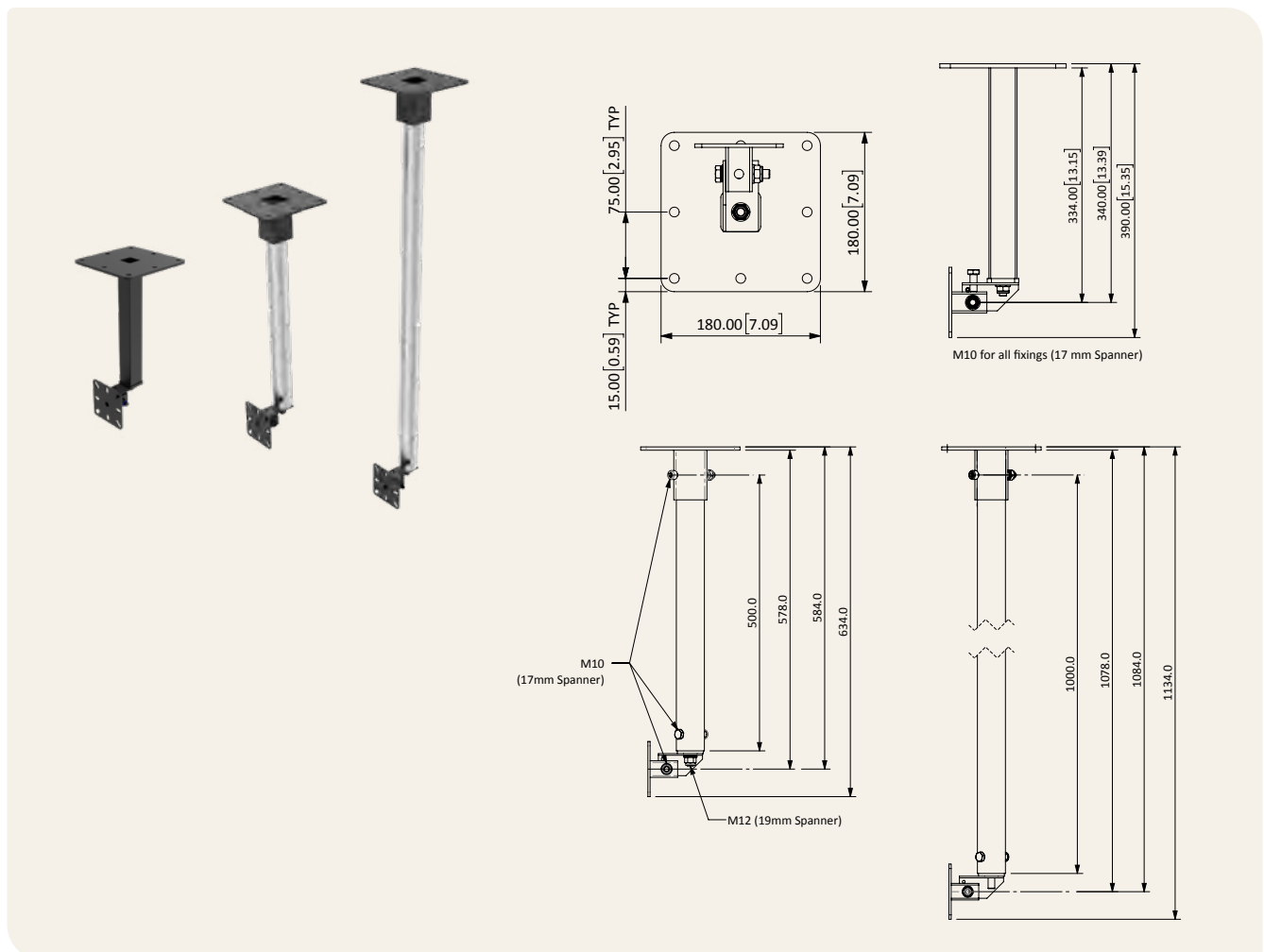


# Ceiling Brackets

Ceiling brackets are available in a variety of lengths offering complete flexibility for a wide range of environments.

**For Venu 6 V2, Venu 8 V2, Venu 10 V2, Venu 12 V2, Venu 14 V2 & Venu 15 V2**

- |               |                              |         |
|---------------|------------------------------|---------|
| <b>IT3371</b> | T80 Ceiling Bracket (1000mm) | ● Black |
| <b>IT3372</b> | T80 Ceiling Bracket (1000mm) | ○ White |
| <b>IT2814</b> | T80 Ceiling Bracket (500mm)  | ● Black |
| <b>IT2815</b> | T80 Ceiling Bracket (500mm)  | ○ White |
| <b>IT1105</b> | T80 Ceiling Bracket (350mm)  | ● Black |
| <b>IT1106</b> | T80 Ceiling Bracket (350mm)  | ○ White |



For Venu 208, Venu 208i, Venu 112 V2 & Venu 115 V2

**IT3217** T75 Ceiling Bracket (1000mm) ● Black

**IT3218** T75 Ceiling Bracket (1000mm) ○ White

**IT6289** T75 Ceiling Bracket (1000mm) ● Black  
- Weatherised

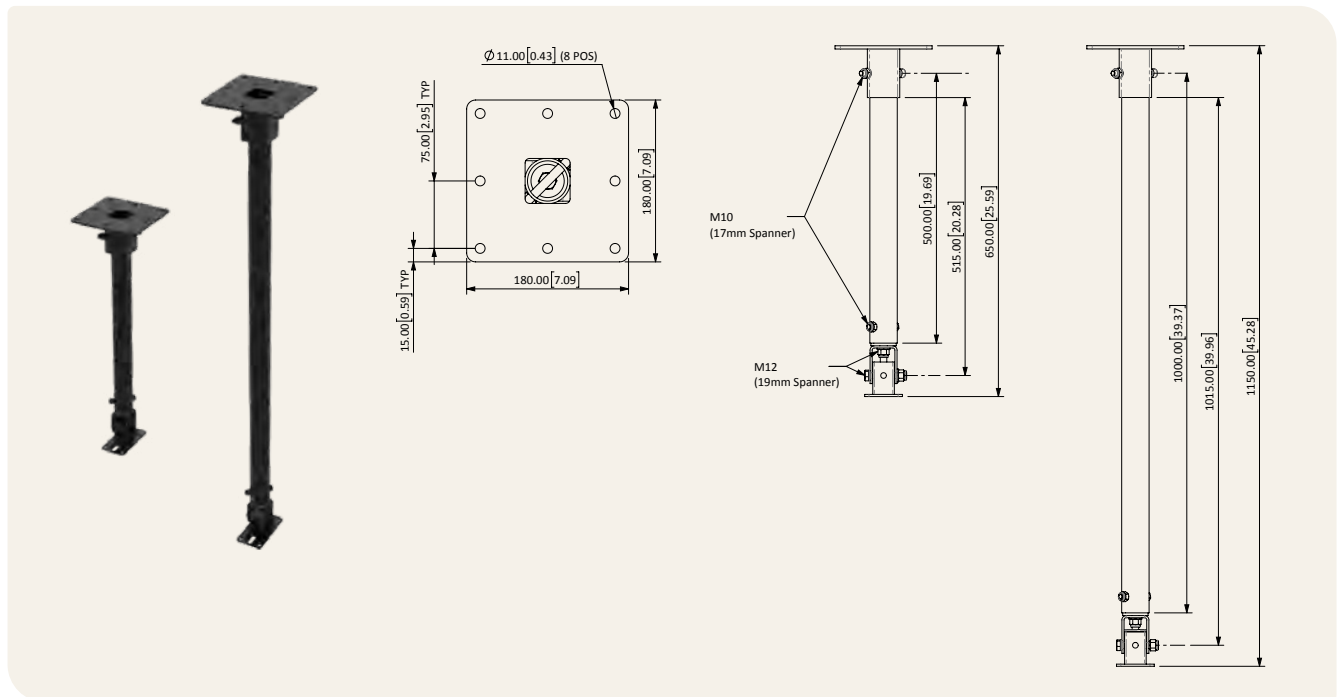
**IT6039** T75 Ceiling Bracket (1000mm) ○ White  
- Weatherised

**IT1140** T75 Ceiling Bracket (500mm) ● Black

**IT1905** T75 Ceiling Bracket (500mm) ○ White

**IT6290** T75 Ceiling Bracket (500mm) ● Black  
- Weatherised

**IT6291** T75 Ceiling Bracket (500mm) ○ White  
- Weatherised

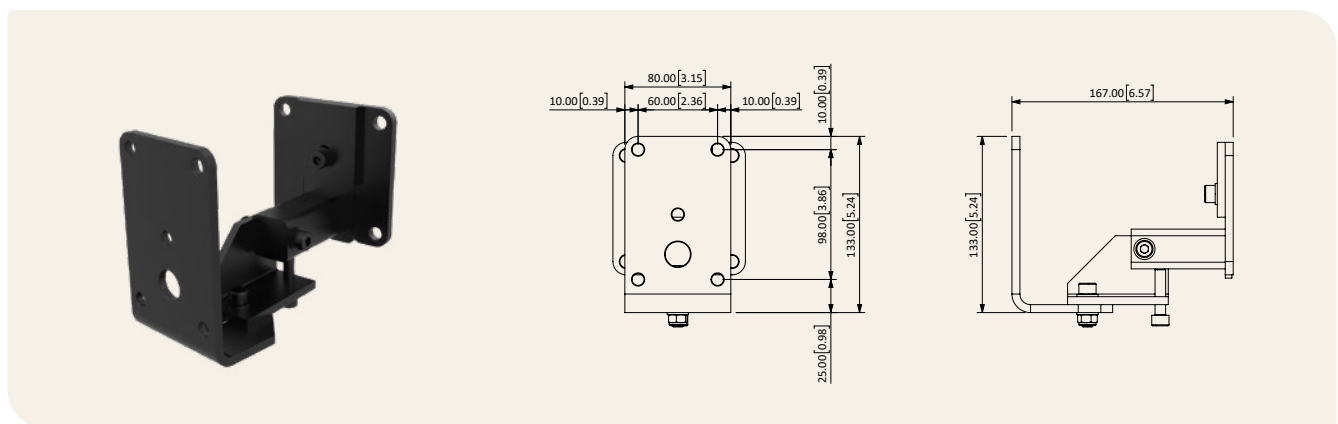


# Wall Brackets

Wall brackets are available for the Venu V2 Series offering installers a variety of swivel and tilt options.

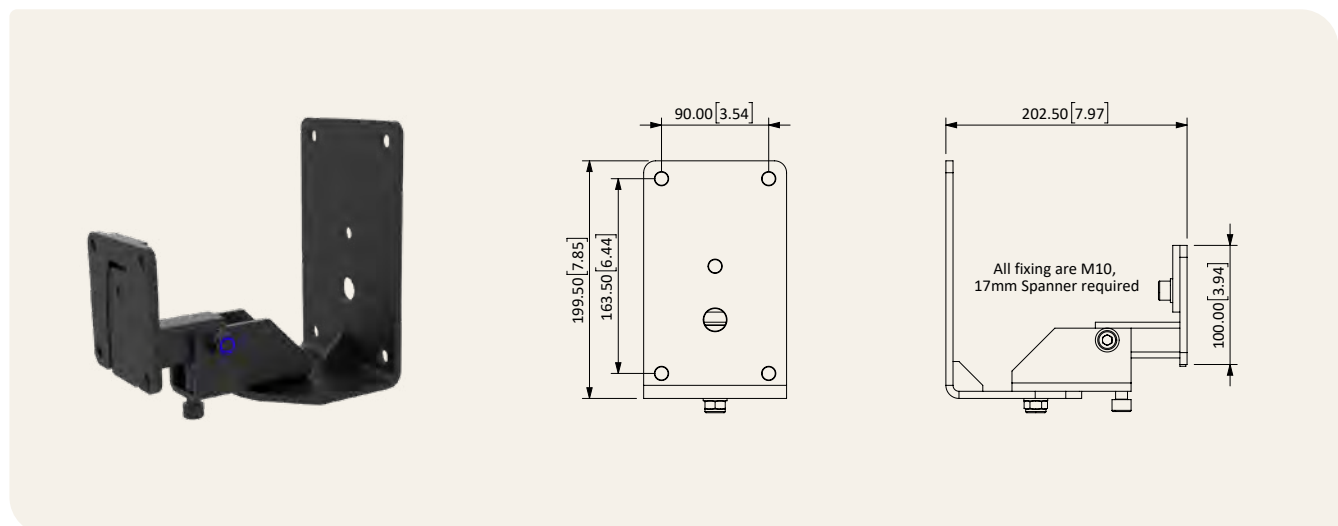
## For Venu 6 V2 & Venu 8 V2

- IT1107 T80 Wall Bracket ● Black
- IT1109 T80 Wall Bracket ○ White



## For Venu 6 V2, Venu 8 V2, Venu 10 V2, Venu 12 V2, Venu 14 V2 & Venu 15 V2

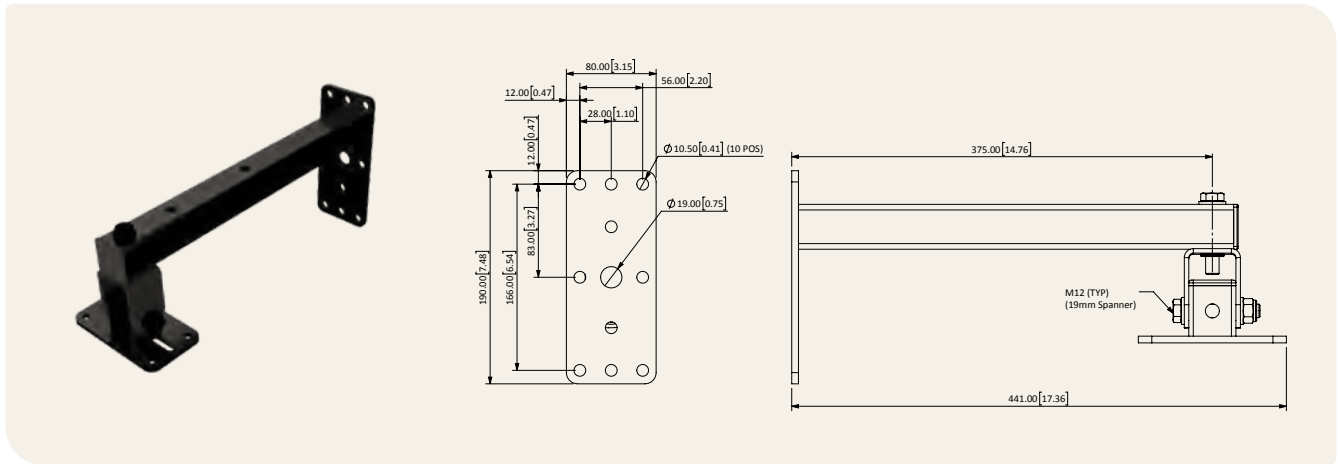
- IT1114 T80XL Wall Bracket ● Black
- IT1115 T80XL Wall Bracket ○ White



For Venu 208, Venu 208i, Venu 112 V2 & Venu 115 V2

IT1132 T75 Wall Bracket ● Black  
 IT1133 T75 Wall Bracket ○ White

IT5881 T75 Wall Bracket - Weatherised ● Black  
 IT5989 T75 Wall Bracket - Weatherised ○ White

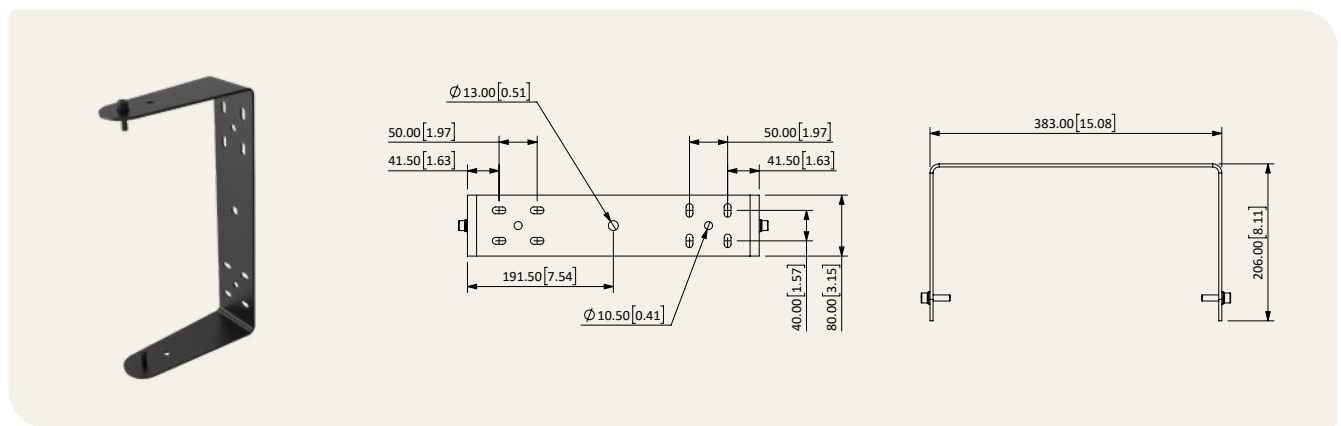


# Yoke Brackets

Dedicated yoke brackets are available for the Venu V2 Series offering a wide variety of mounting options.

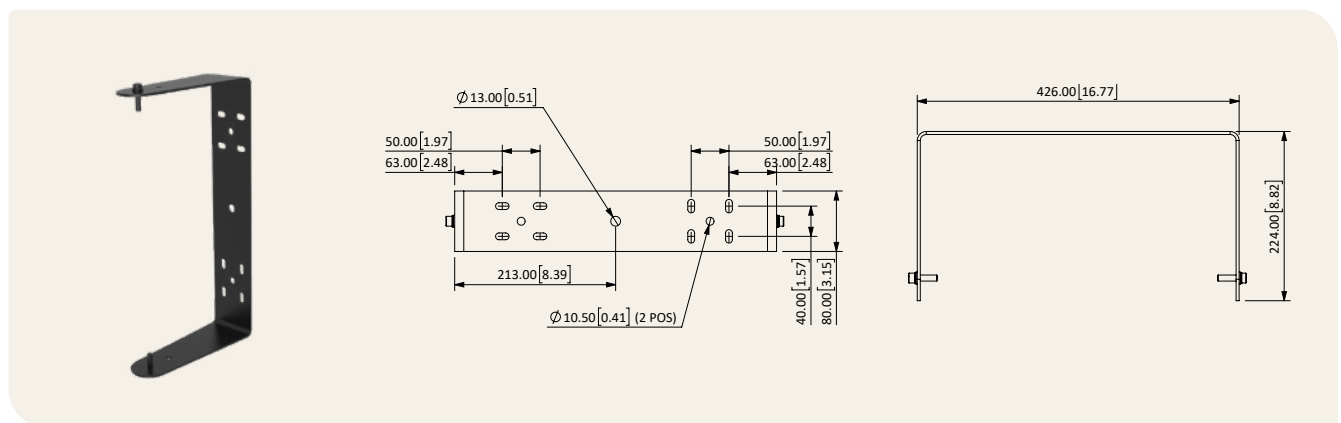
## For Venu 6 V2

- IT4322 Venu 6 V2 Yoke Bracket ● Black
- IT4323 Venu 6 V2 Yoke Bracket ○ White



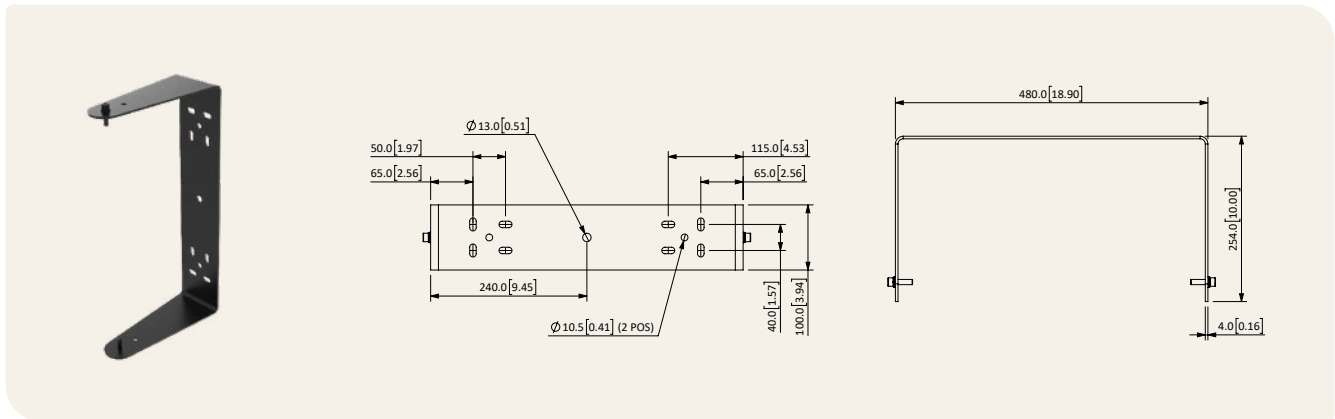
## For Venu 8 V2

- IT1131 Venu 8 V2 Yoke Bracket ● Black
- IT3099 Venu 8 V2 Yoke Bracket ○ White



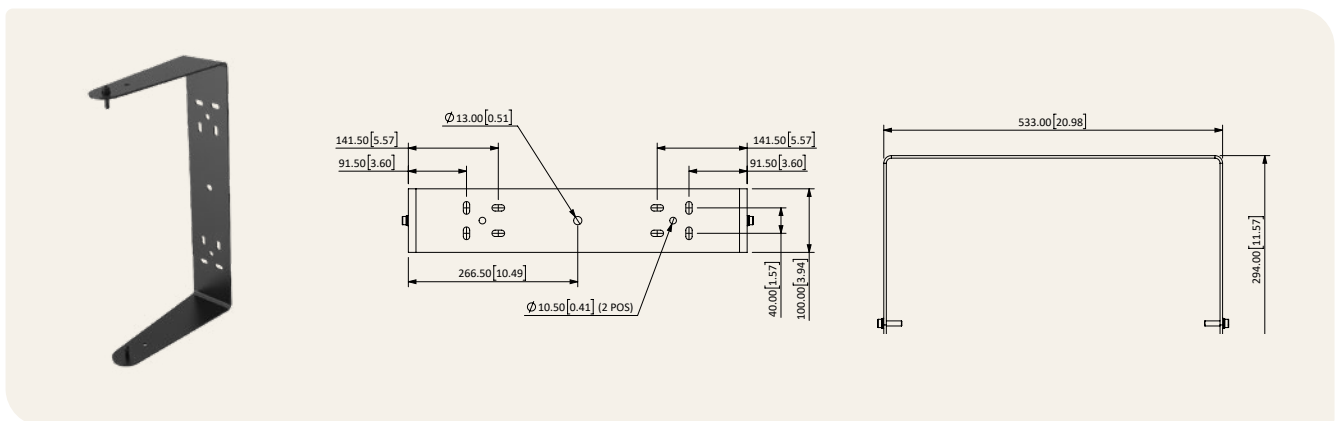
### For Venu 10 V2

- IT1129 Venu 10 V2 Yoke Bracket ● Black
- IT2300 Venu 10 V2 Yoke Bracket ○ White



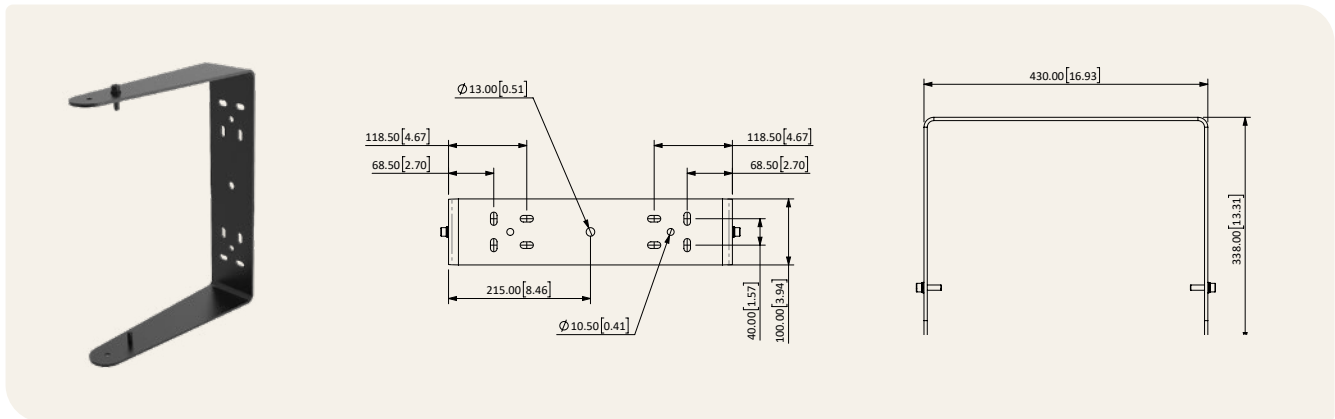
### For Venu 12 V2

- IT1130 Venu 12 V2 Yoke Bracket ● Black
- IT2023 Venu 12 V2 Yoke Bracket ○ White



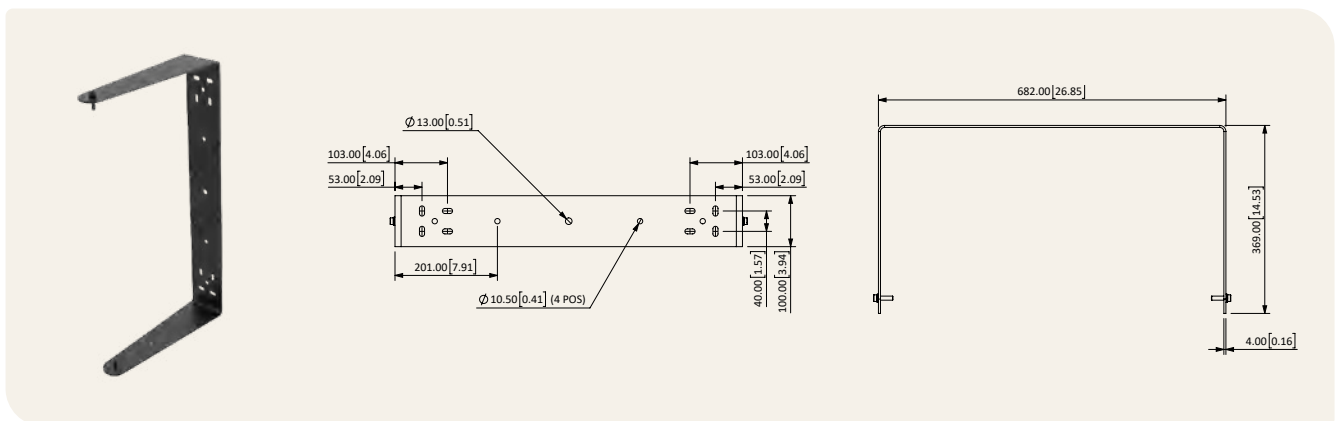
### For Venu 14 V2

- IT5895 Venu 14 V2 Yoke Bracket ● Black
- IT5899 Venu 14 V2 Yoke Bracket ○ White



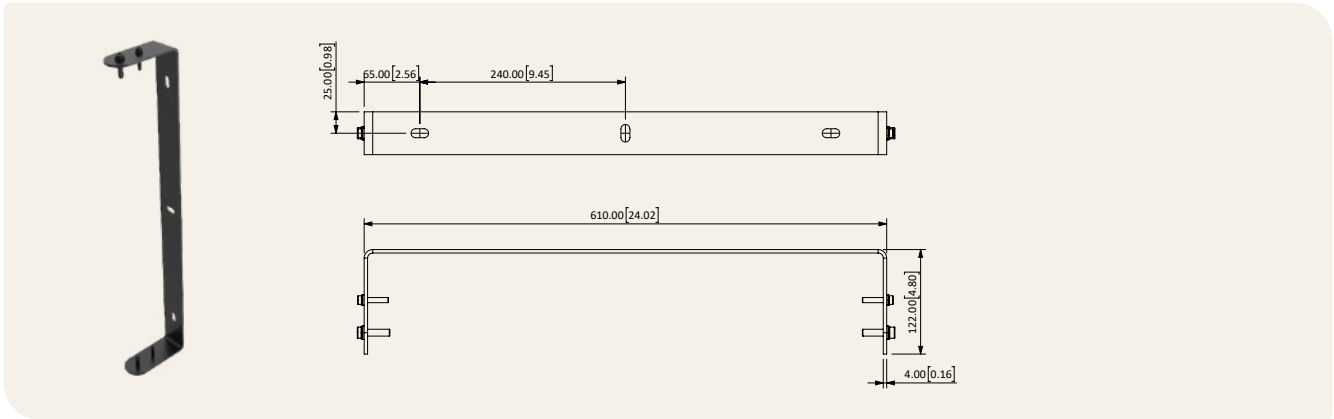
### For Venu 15 V2

- IT2941 Venu 15 V2 Yoke Bracket ● Black
- IT2942 Venu 15 V2 Yoke Bracket ○ White



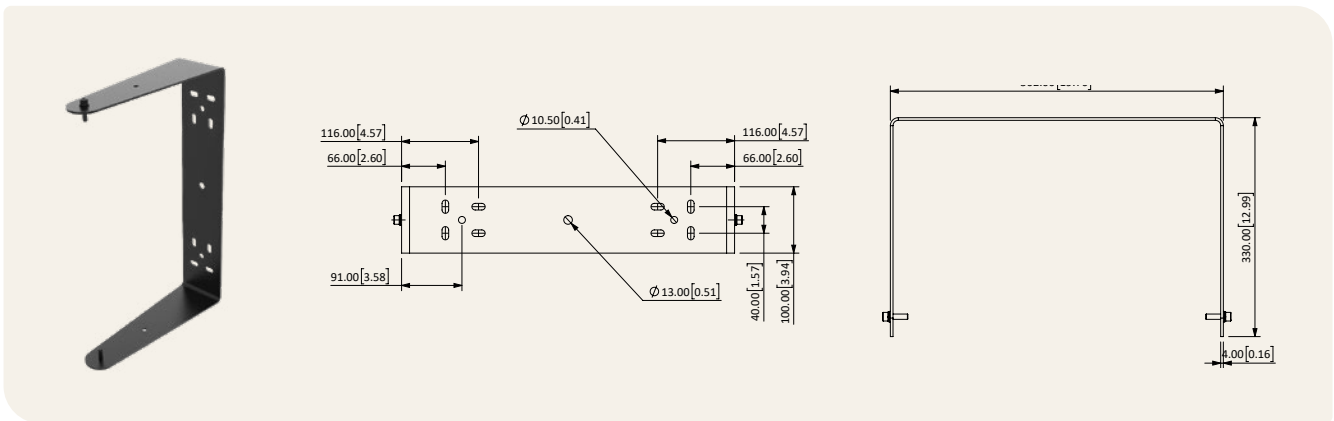
### For Venu 208 & Venu 208i

- IT3215 Venu 208 Yoke Bracket ● Black
- IT3216 Venu 208 Yoke Bracket ○ White



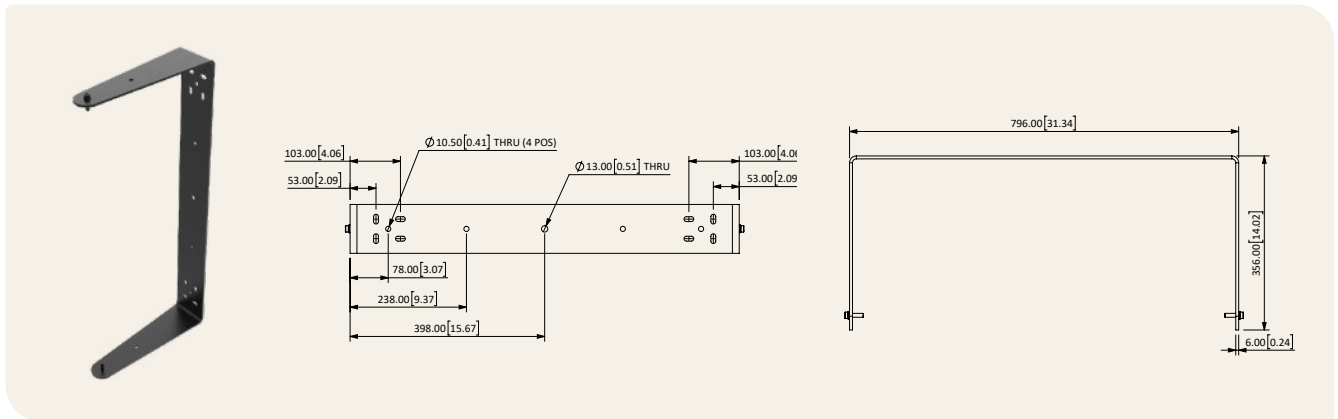
### For Venu 112 V2

- IT2920 Venu 112 V2 Yoke Bracket ● Black
- IT2921 Venu 112 V2 Yoke Bracket ○ White



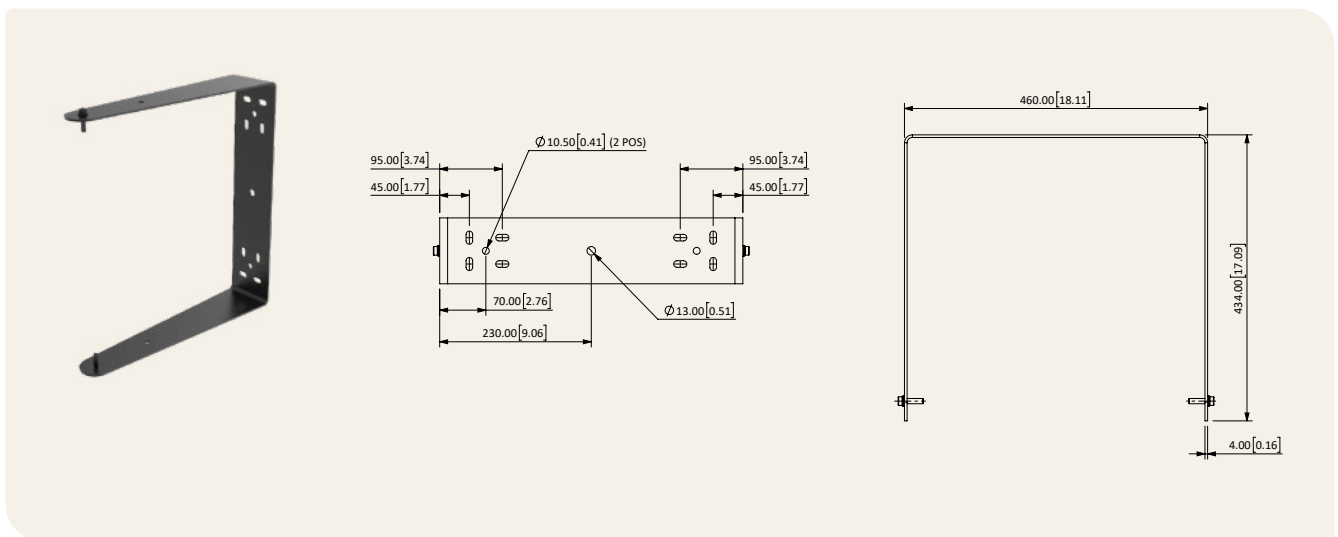
### For Venu 212 V2

- IT2923 Venu 212 V2 Yoke Bracket ● Black
- IT2924 Venu 212 V2 Yoke Bracket ○ White



### For Venu 115 V2

- IT2926 Venu 115 V2 Yoke Bracket ● Black
- IT2925 Venu 115 V2 Yoke Bracket ○ White

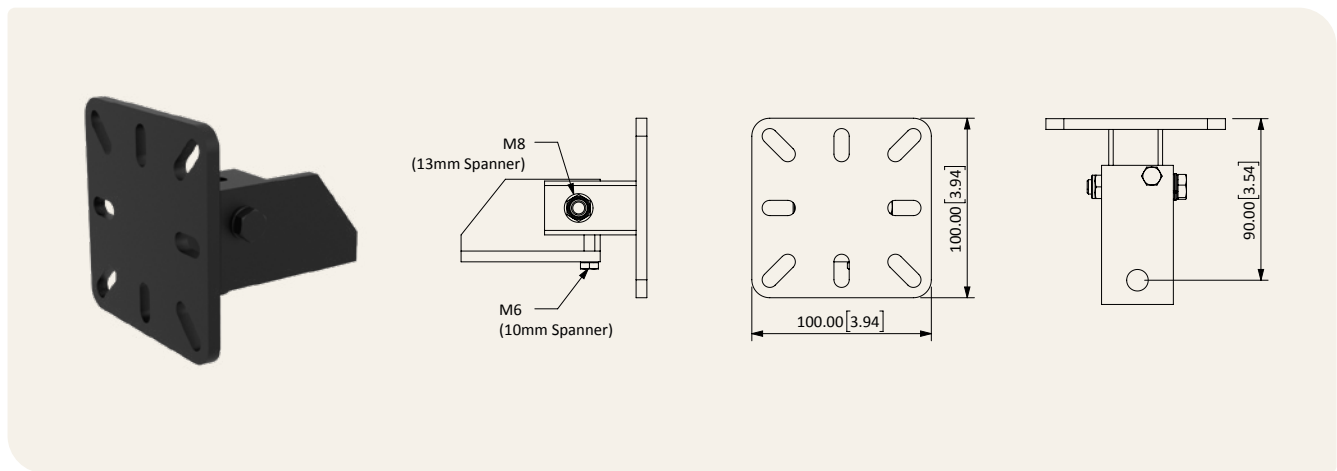


# Stud Brackets

Stud brackets are available for the Venu V2 Series that can be useful when the requirement for attaching to third party or bespoke fixings is needed.

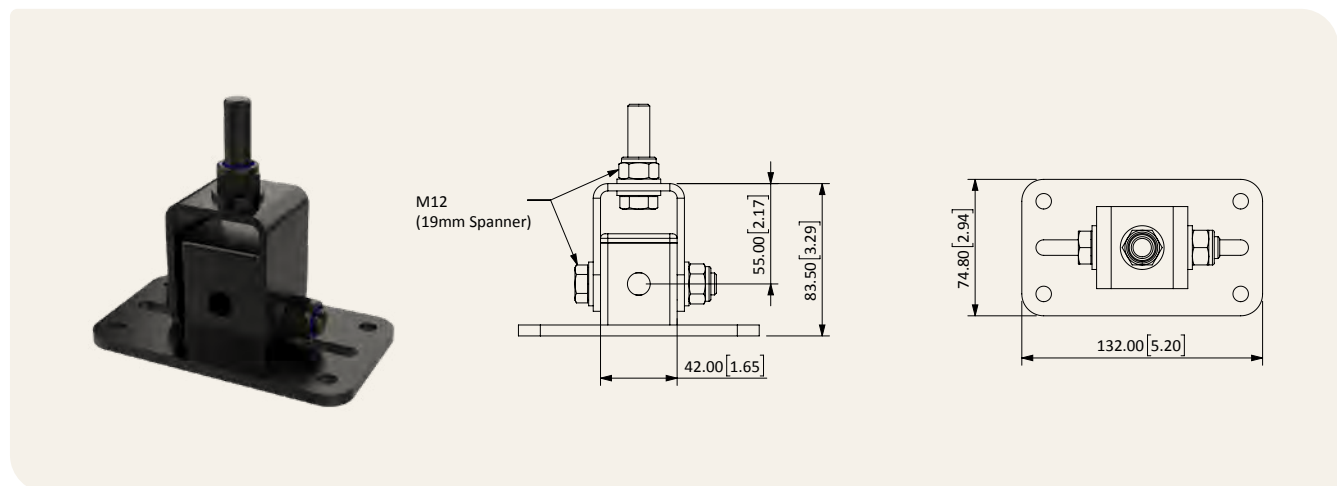
## For Venu 6 V2, Venu 8 V2, Venu 10 V2, Venu 12 V2, Venu 14 V2 & Venu 15 V2

- IT3436 T80 Stud Bracket ● Black IT6040 T80 Stud Bracket - Weatherised ○ White
- IT3437 T80 Stud Bracket ○ White



## For Venu 208, Venu 208i, Venu 112 V2 & Venu 115 V2

- IT1125 T75 Stud Bracket ● Black
- IT1126 T75 Stud Bracket ○ White

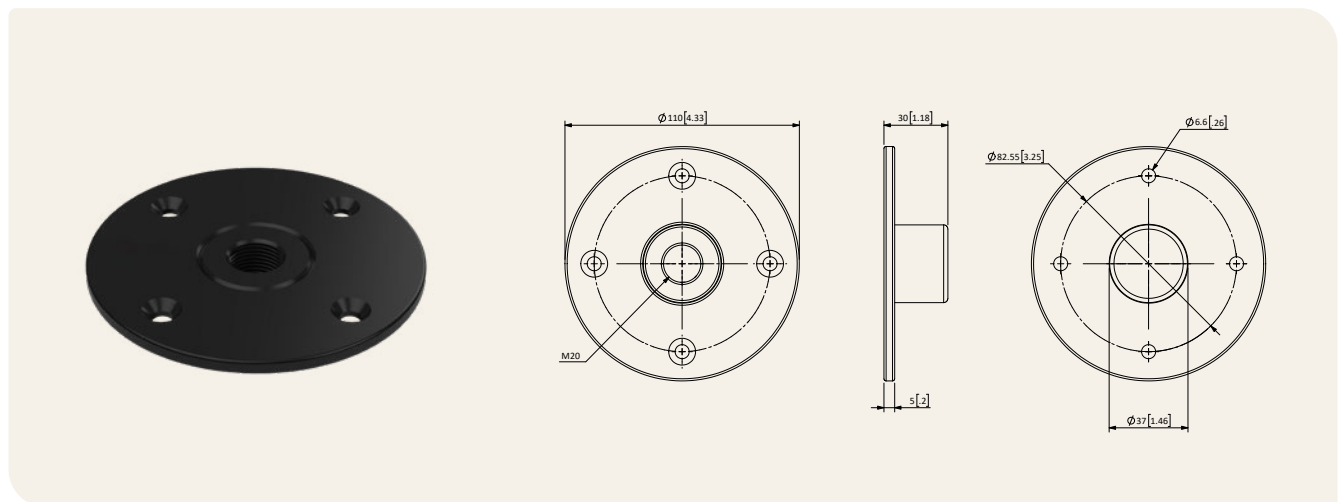


# Top Hats

M20 threaded top hats are available for the Venu V2 Series subwoofers.

**For Venu 210i V2, Venu 112 V2, Venu 212 V2, Venu 115 V2, Venu 215 V2, Venu 215i V2, Venu 118 V2 & Venu 218 V2**

- IT2041 M20 Heavy Duty Top Hat ● Black
- IT2042 M20 Heavy Duty Top Hat ○ White



# Swivel Wheels

For Venu 118 V2, Venu 215i V2 & Venu 218 V2

IT1928 Swivel Wheel (4 pcs required) ● Black

# Protective Covers

IT3133 Protective Cover - Venu 6 V2

IT3132 Protective Cover - Venu 8 V2

IT3131 Protective Cover - Venu 10 V2

IT3130 Protective Cover - Venu 12 V2

IT3129 Protective Cover - Venu 15 V2

IT3128 Protective Cover - Venu 112 V2

IT3126 Protective Cover - Venu 212 V2

IT3127 Protective Cover - Venu 115 V2

IT3125 Protective Cover - Venu 215 V2

## HEAD OFFICE

Void Acoustics Research Ltd,  
Unit L The Fulcrum, Vantage Way,  
Poole, Dorset,  
BH12 4NU  
United Kingdom

**Call:** +44(0) 1202 666006

**Email:** [hello@voidacoustics.com](mailto:hello@voidacoustics.com)

## NORTH AMERICA

Void Acoustics North America

**Call:** +1(630) 6866616

**Email:** [hello@voidacoustics.com](mailto:hello@voidacoustics.com)

**[voidacoustics.com](http://voidacoustics.com)**

