

Air Motion

User Guide V1.0



VOID

©2018 Void Acoustics Research Ltd.

Version 1.0

This user guide is subject to change without notice.
For the latest online version, visit: www.voidacoustics.com

Void Acoustics and the Void logo are registered trademarks of Void Acoustics Research Ltd. in the United Kingdom, USA and other countries; all other Void trademarks are the property of Void Acoustics Research Ltd.

Contents

1	Safety and regulations	4	8	Service	35
1.1	Important safety instructions	4	8.1	Return authorisation	35
1.2	Limitations	4	8.2	Shipping and packing consideration	35
1.3	EC declaration of conformity	4			
1.4	WEEE directive	4	9	Appendix	36
2	Limited warranty	5			
3	Unpacking and Checking	6			
4	About	7			
4.1	Welcome	7			
4.2	Air Motion overview	7			
4.3	Key features	7			
4.4	Air Motion specifications	8			
4.5	Air Motion dimensions	9			
5	Cabling and wiring	10			
5.1	Electrical safety	10			
5.2	Cable consideration for fixed installations	10			
5.3	Air Motion wiring diagram	11			
5.4	Bias V3/V9 speakON™ wiring	12			
5.5	Bias VQ speakON™ wiring	12			
5.6	Bias D1/Q2 Phoenix wiring	13			
5.7	Bias Q5 speakON™ wiring	13			
6	System design	14			
6.1	Air Motion bass alignment	14			
6.2	System design principles	14			
6.3	Loudspeaker placement and positioning	16			
7	Mounting	19			
7.1	Installation safety	19			
7.2	Mounting the U bracket for ground stacking and ceiling/wall mounting	20			
7.3	Ground stacking	22			
7.4	Wall mounting	24			
7.5	Ceiling mounting	27			
7.6	Truss Mounting	29			
7.7	Ceiling pole mounting	31			
7.8	Pole mount	33			

1 Safety and regulations

1.1 Important safety instructions



The lightning flash with an arrowhead symbol within an equilateral triangle is intended to alert the user to the presence of uninsulated "dangerous voltage" within the product's enclosure that may be of sufficient magnitude to constitute a risk of electric shock to persons.



The exclamation point within an equilateral triangle is intended to alert the user of the presence of important operating and maintenance (servicing) instructions in the literature accompanying the appliance.

Safety instructions - read this first

1. Read these instructions.
2. Keep these instructions.
3. Heed all warnings.
4. Follow all instructions.
5. Do not use this apparatus near water.
6. Clean only with a dry cloth.
7. Do not block any ventilation openings. Install in accordance with the manufacturer's instructions.
8. Do not install near any heat source such as radiators, heat registers, stoves, or other such apparatus that produce heat.
9. Do not defeat the safety purpose of the grounding-type plug. A grounding type plug has two blades and a third grounding prong. The third prong is provided for your safety. If the provided plug does not fit into your outlet, consult an electrician for replacement of the obsolete outlet.
10. Protect power cords from being walked on or pinched particularly at plugs, convenience receptacles, and the point where they exit the apparatus.
11. Only use attachments and accessories specified by Void Acoustics.
12. Only use with the cart, stand, tripod, bracket, or table specified by the manufacturer, or sold with the apparatus. When a cart is used, use caution when moving the cart/apparatus combination to avoid injury from tip-over.
13. Unplug the apparatus during lightning storms or when unused for long periods of time.
14. Refer all servicing to qualified service personnel. Servicing is required when the apparatus has been damaged in any way, such as when the power-supply cord or plug is damaged, liquid has been spilled or objects have fallen into the apparatus, the apparatus has been exposed to rain or moisture, does not operate normally, or has been dropped.
15. Since the mains power supply cord attachment plug is used to disconnect the device, the plug should always be easily accessible.
16. Void loudspeakers can produce sound levels capable of causing permanent hearing damage from prolonged exposure. The higher the sound level, the less exposure needed to cause such damage. Avoid prolonged exposure to the high sound levels from the loudspeaker.

1.2 Limitations

This guide is provided to help familiarise the user with the loudspeaker system and its accessories. It is not intended to provide comprehensive electrical, fire, mechanical and noise training and is not a substitute for industry-approved training. Nor does this guide absolve the user of their obligation to comply with all relevant safety legislation and codes of practice.

While every care has been taken in creating this guide, safety is user-dependent and Void Acoustics Research Ltd cannot guarantee complete safety whenever the system is rigged and operated.

1.3 EC declaration of conformity

Manufacturer:

Void Acoustics Research Ltd,
Unit 15 Dawkins Road Ind Est,
Poole, Dorset,
BH15 4JY,
United Kingdom.



We declare the under our sole responsibility the following product models: Air Motion, Tri Motion, Airten, Air Stream, Air Vantage, Air 8

are intended to be used as loudspeakers and are in conformity with the following EC Directives, including all amendments, and with national legislation implementing these directives:

- BS EN 60065:2002
- BS EN 55103-1/-2

March 2016

Alex Skan
Technical Director

1.4 WEEE directive

If the time arises to throw away your product, please recycle all the components possible.



This symbol indicates that when the end-user wishes to discard this product, it must be sent to separate collection facilities for recovery and recycling. By separating this product from other household-type waste, the volume of waste sent to incinerators or land-fills will be reduced and natural resources will thus be conserved.

The Waste Electrical and Electronic Equipment Directive (WEEE Directive) aims to minimise the impact of electrical and electronic goods on the environment. Void Acoustics Research Ltd complies with the Directive 2002/96/EC and 2003/108/EC of the European Parliament on waste electrical and electronic equipment (WEEE) in order to reduce the amount of WEEE that is being disposed of in land-fill sites. All of our products are marked with the WEEE symbol; this indicates that this product must NOT be disposed of with other waste. Instead it is the user's responsibility to dispose of their waste electrical and electronic equipment by handing it over to an approved reprocessor, or by returning it to Void Acoustics Research Ltd for reprocessing. For more information about where you can send your waste equipment for recycling, please contact Void Acoustics Research Ltd or one of your local distributors.

2 Limited warranty

Limited warranty

The warranty

For a period of three (3) years from the date of delivery to the original purchaser (as shown on the original invoice or sales receipt; a copy of this may be required as proof of warranty dates), Void Acoustics Research Ltd (hereinafter 'Void') warrants to the Original Owner (person or company who originally purchased the product brand new from either Void or a Void Authorised Dealer/Distributor) of each new Air Series product (provided it was purchased at an Authorised Void Dealer) that it is free of defects in materials and workmanship and that each product will meet or exceed all factory published specifications for each respective model. Void agrees to repair or replace (at its discretion) all defective parts at no charge for labour or materials; subject to following provisions:

Warranty violations

Void shall take no responsibility for repair or replacement as specified under this warranty, if the damaged product has been subject to misuse, accident, neglect or failure to comply with normal maintenance procedures; or if the serial number has been defaced, altered or removed. Nor will Void accept responsibility for, or resulting from, improper alterations or unauthorised parts or repairs. This warranty does not cover any damage to speakers or any other consequential damage resulting from breach of any written or implied warranty.

Void warranty provisions

Void will remedy any defect, regardless of the reason for failure (except as excluded) by repair, or replacement. Void will remedy the defect and ship the product within a reasonable time after receipt of the defective product at a Void Authorised Service Centre.

To obtain warranty service

If a Void product requires service, the Owner must contact Void or an Authorised Void Service Centre to receive an R.A.N. (Return Authorisation Number) and instructions on how to return the product to the Void Authorised Service Centre, or to Void.

Void (or its Authorised Service Centre) will initiate corrective repairs upon receipt of the returned product. Please save the original carton and all the packing materials in case shipping is required. All products being returned to the factory or service centre for repairs must be shipped prepaid.

If the repairs made by Void or the Void Authorised Service Centre are not satisfactory, the Owner is instructed to give written notice to Void. If the defect or malfunction remains after a reasonable number of attempts by Void to remedy the defect or malfunction, the Original Owner shall then have the option to elect either a refund or replacement of said Void product free of charge. The refund shall be an amount equal to but not greater than the actual purchase price, not including any taxes, interest, insurance, closing costs and other finance charges (minus reasonable depreciation on the product). If a refund is necessary, the Original Owner must make the defective or malfunctioning product available to Void free and clear of all liens or other restrictions.

Equipment modifications

Technical and design specifications are subject to change without notice.

Void reserves the right to modify or change equipment (in whole or part) at any time prior to delivery thereof, in order to include therein electrical or mechanical improvements deemed appropriate by Void, but without incurring any liability to modify or change any equipment previously delivered, or to supply new equipment in accordance with any earlier specifications.

Disclaimer of consequential and incidental damages

You, the Original Owner, are not entitled to recover from Void any incidental damages resulting from any defect in the Void product.

This includes any damage to another product or products resulting from such a defect.

Warranty alterations

No person has the authority to enlarge, amend, or modify this Warranty. This Warranty is not extended by the length of time which the Original Owner is deprived of the use of product. Repairs and replacement parts provided pursuant to the Warranty shall carry only the non-expired portion of the Warranty.

This Statement of Warranty supersedes all others contained in this user guide.

3 Unpacking and checking

All Void Acoustics products are carefully manufactured and thoroughly tested before being dispatched. Your dealer will ensure that your Void products are in pristine condition before being forwarded to you but mistakes and accidents can happen.

Before signing for your delivery:

- Inspect your shipment for any signs of contamination, abuse or transit damage as soon as you receive it
- Check your Void Acoustics delivery fully against your order
- If your shipment is incomplete or any of its contents are found to be damaged; inform the shipping company and inform your dealer.

Air Motion loudspeakers are heavy (35.4 kg/78 lbs) and require a minimum two people to lift.

- Undo the four butterfly catches on the transport case then remove the lid making sure the lid is clear before moving sideways
- If you need to place the Air Motion on a flat surface ensure you use a lint free product to protect the finish
- To remove from the transport case, each person should hold the Air Motion on each side, with one hand on the edge of the horn flare, and the other supporting the weight of the drivers to the rear, as shown in figure 3.1
- When removing the Air Motion take care not to damage the lower tray of the transport case.

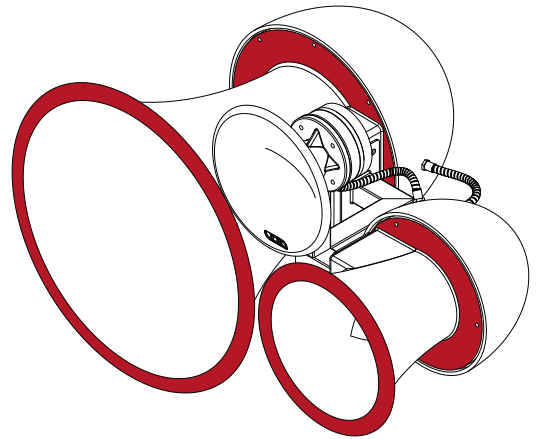


Figure 3.1: Safe handling positions diagram (as indicated in red)

Keep the original packaging in case you need to return a product for service later.

See section 2 for warranty conditions and see section 8 if your product needs servicing.

4 About

4.1 Welcome

Many thanks for purchasing this Void Acoustics Air Motion. We truly appreciate your support. At Void, we design, manufacture and distribute advanced professional audio systems for the installed and live sound market sectors. Like all Void products, our highly skilled and experienced engineers have successfully combined pioneering technologies with groundbreaking design aesthetics, to bring you superior sound quality and visual innovation. In buying this product, you are now part of the Void family and we hope using it brings you years of satisfaction. This guide will help you both use this product safely and ensure it performs to its full capability.

4.2 Air Motion overview

The Air Motion is a timeless work of art, instantly recognisable as a Void-signature product, known for both its iconic appearance and exceptionally balanced sound.

4.3 Key features

- Three-way, bi-amped sculpted loudspeaker array
- Exceptionally linear frequency and phase characteristics
- Low resonance fibreglass composite construction
- Integrated flying and mounting system
- Optional floor stand or flying bracket
- Internal electronic HF protection

4 About

4.4 Air Motion specifications

Frequency response	140 Hz - 20 kHz ± 3 dB
Efficiency ¹	LF: 106 dB 1W/1m, HMF: 108 dB 1W/1m
Crossover points	LF: 140 Hz and 600 Hz, HMF: 600 Hz - passive 1.7 kHz
Nominal impedance	LF: 8 Ω , HMF: 8 Ω
Power handling ²	LF: 500 W AES, HMF: 250 W AES
Maximum output ³	134 dB cont, 137 dB peak
Driver configuration	1 x 12" LF, 1 x 8" MF, 1 x 1.5" HF compression driver
Dispersion	60°H x 50°V
Protection	Internal electronic control
Connectors	2 x 4-pole speakON™ NL4
Height	672 mm (26.5")
Width	854 mm (33.6")
Depth	658 mm (25.9")
Weight	35.4 kg (78 lbs)
Enclosure	Fibreglass composite
Rigging	Integral mounting system
Colour	Custom colours available upon request

¹ Measured in half space ² AES2 - 1984 compliant ³ Calculated

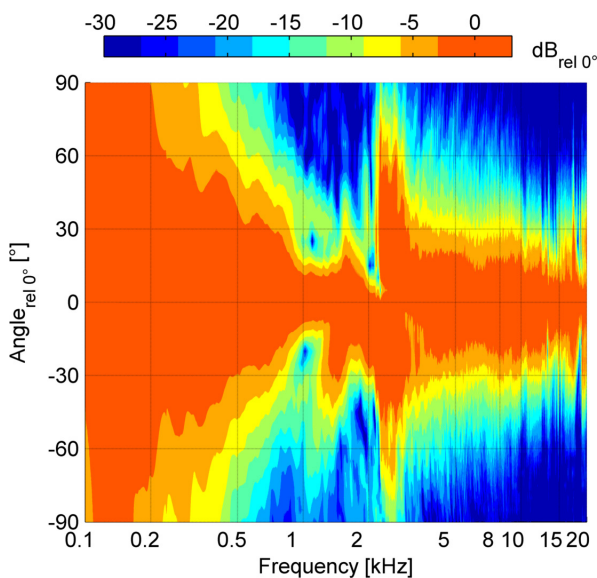


Figure 4.1: Horizontal directivity isobars

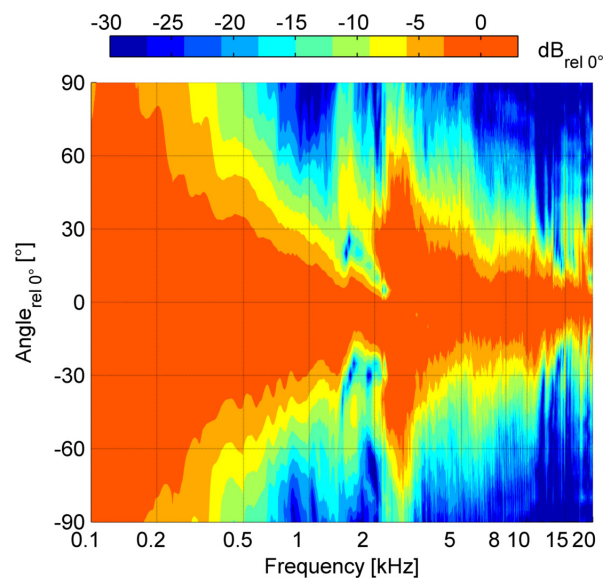


Figure 4.2: Vertical directivity isobars

4 About

4.5 Air Motion dimensions

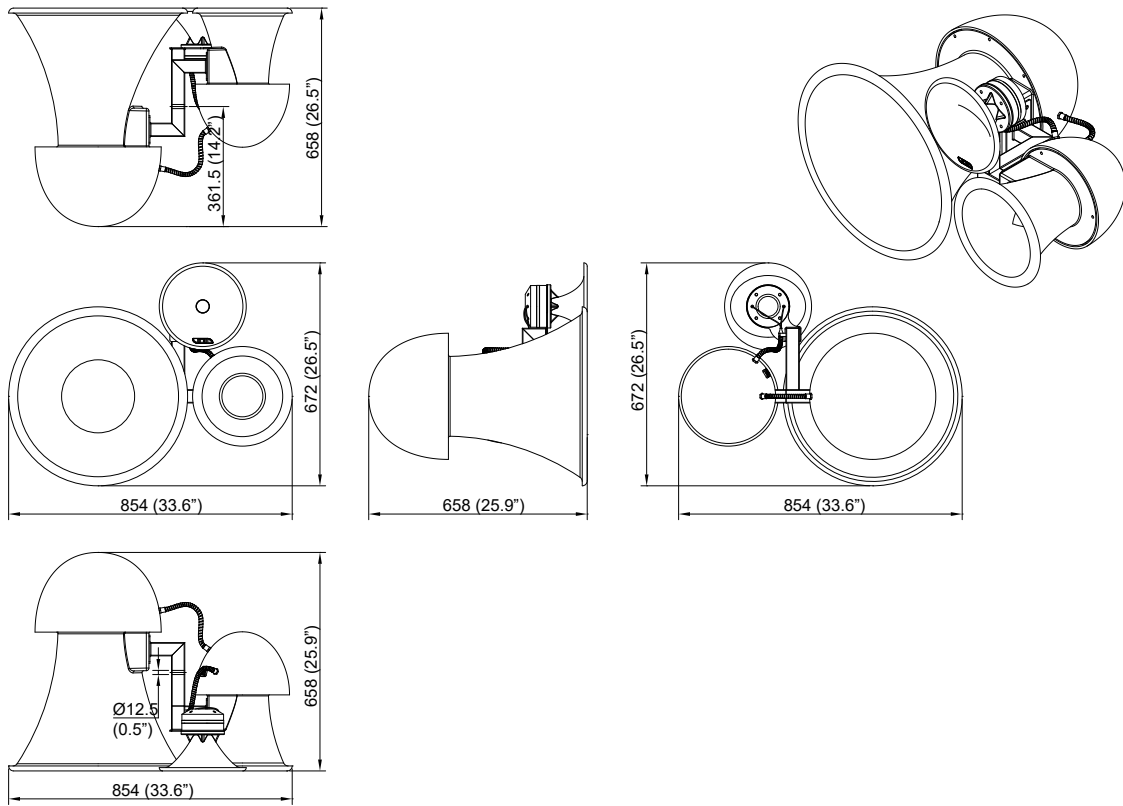


Figure 4.3: Dimensions (right-handed version)

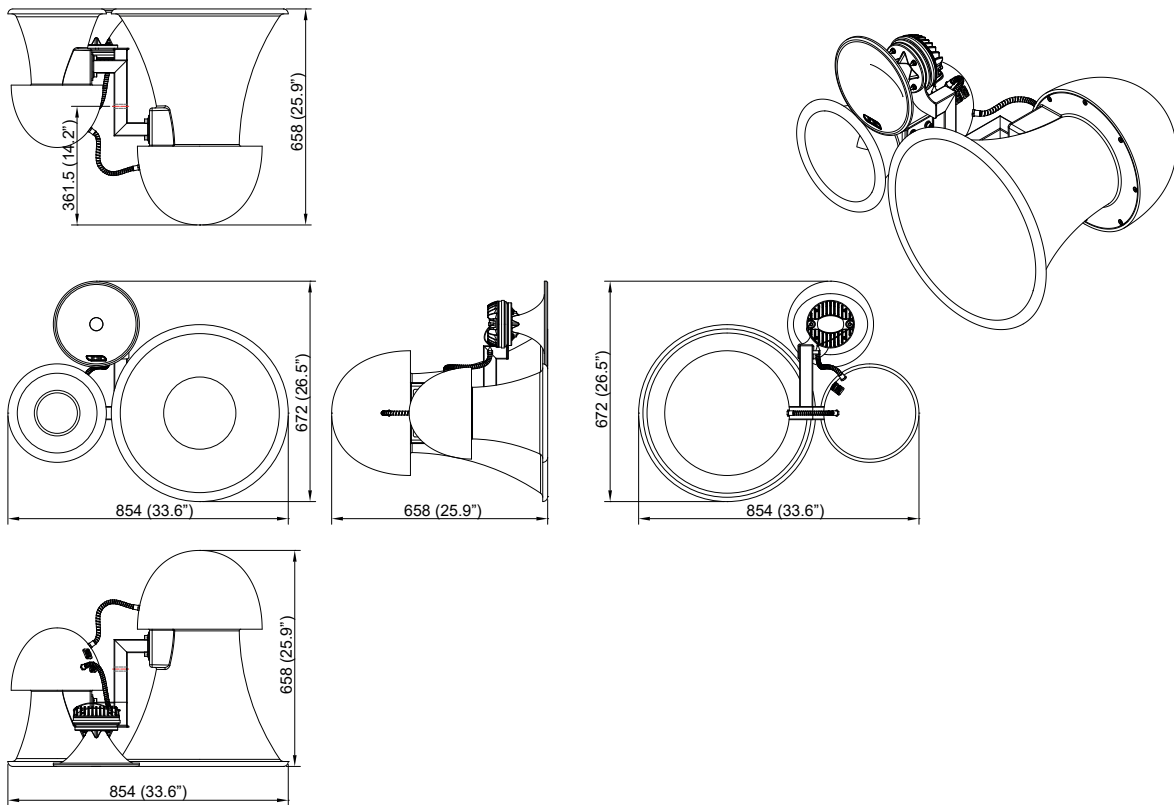


Figure 4.4: Dimensions (left-handed version)

5 Cabling and wiring

5.1 Electrical safety



To avoid electrical hazards please note the following:

- Do not access the inside of any electrical equipment. Refer servicing to Void-approved service agents.

5.2 Cable considerations for fixed installations

We recommend specifying installation-grade Low Smoke Zero Halogen (LSZH) cables for permanent installations. The cables should use Oxygen Free Copper (OFC) of grade C11000 or above. Cables for permanent installations should be compliant with the following standards:

- IEC 60332.1 Fire retardancy of a single cable
- IEC 60332.3C Fire retardancy of bunched cables
- IEC 60754.1 Amount of Halogen Gas Emissions
- IEC 60754.2 Degree of acidity of released gases
- IEC 61034.2 Measurement of smoke density.

Air Motion loudspeakers are 3-way, bi-amplified. They require two amplifier channels to drive them via 4-core speakON™ NL4 cables. We suggest using the following maximum copper cable lengths to keep level losses below 0.6 dB.

Metric mm ²	Imperial AWG	8 Ω load	4 Ω load	2 Ω load
2.50 mm ²	13 AWG	36 m	18 m	9 m
4.00 mm ²	11 AWG	60 m	30 m	15 m

5 Cabling and wiring

5.3 Air Motion wiring diagram

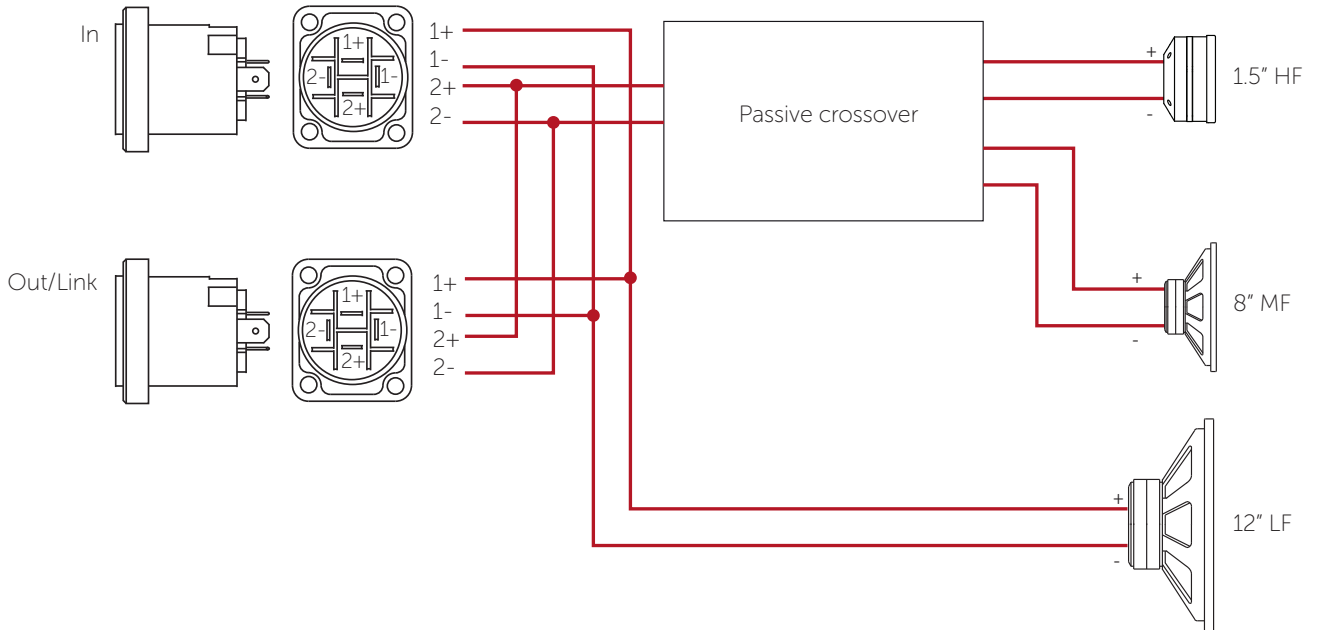


Figure 5.1: Wiring diagram

	speakON™ pins 1+/1-	speakON™ pins 2+/2-
In	LF (12")	MHF (8" + 1.5")
Out	LF link	MHF link

5 Cabling and wiring

5.4 Bias V3/V9 speakON™ wiring

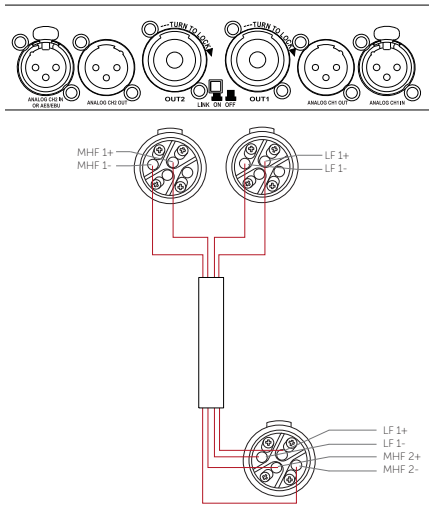


Figure 5.2: Bias V3

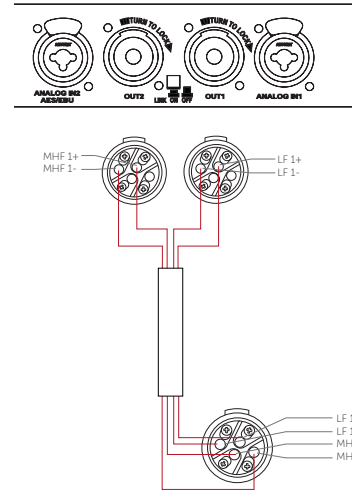


Figure 5.3: Bias V9

Bias V3/V9	Output 1	Output 2
Output	LF (12")	MHF (8"+1.5")
Max parallel units	4 (2 Ω load to amplifier)	4 (2 Ω load to amplifier)

5.5 Bias VQ speakON™ wiring

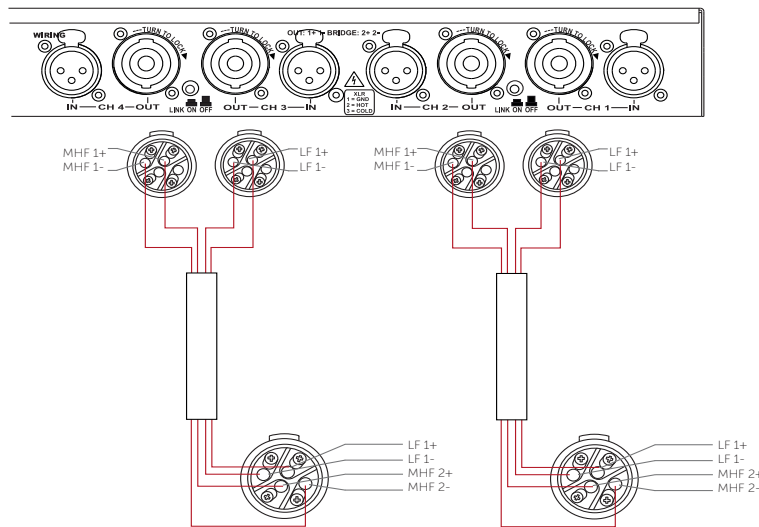


Figure 5.4: Bias VQ

Bias VQ	Output 1	Output 2	Output 3	Output 4
Output	Left LF (12")	Left MHF (8"+1.5")	Right LF (12")	Right MHF (8" + 1.5")
Max quantity per channel	2 (4 Ω load to amplifier)	2 (4 Ω load to amplifier)	2 (4 Ω load to amplifier)	2 (4 Ω load to amplifier)

5 Cabling and wiring

5.6 Bias D1/Q2 phoenix wiring

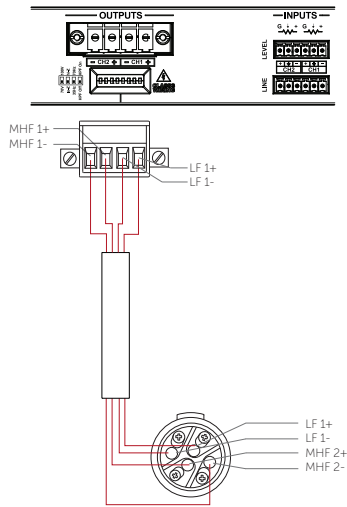


Figure 5.5: Bias D1

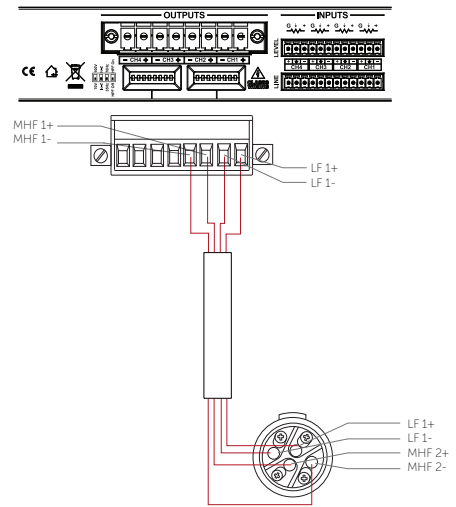


Figure 5.6: Bias Q2

Bias D1/Q2	Output 1	Output 2
Output	LF (12")	MHF (8"+1.5")
Max parallel units	4 (2 Ω load to amplifier)*	4 (2 Ω load to amplifier)*

*Recommended max parallel units 2 (4 Ω load to amplifier) due to the power rating of the amplifier.

5.7 Bias Q5 speakON™ wiring

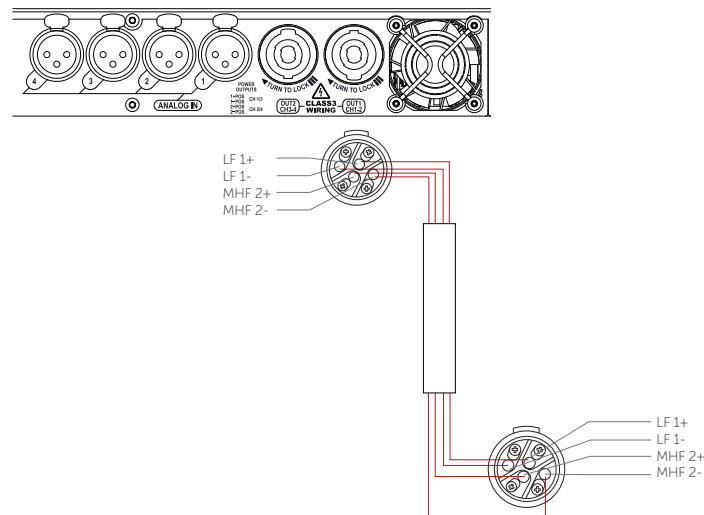


Figure 5.7: Bias Q5

Bias Q5	Output 1	Output 2
Output	LF (12")	MHF (8"+1.5")
Max quantity per channel	2 (4 Ω load to amplifier)	2 (4 Ω load to amplifier)

6 System design

6.1 Air Motion bass alignment

Loudspeaker/ amplifier combinations	Air Motion		Stasys 118		Air Motion		Stasys 218		Air Motion		Stasys X/Xair	
	Gain	Delay (ms)	Gain	Delay (ms)	Gain	Delay (ms)	Gain	Delay (ms)	Gain	Delay (ms)	Gain	Delay (ms)
Bias VQ	-10	0.7			n/a	n/a			n/a	n/a		
Bias VQ			0	0			n/a	n/a			n/a	n/a
Bias VQ	-8	5.3			-8*	5.3			-10*	8.4		
Bias V3/V9/ D1/Q2/Q5			0	0			0	0			0	0
Bias V3/V9/ D1/Q2/Q5	-10	0.7			-10*	0.7			-10*	3.33		
Bias V3/V9/ D1/Q2/Q5			0	0			0	0			0	0

All polarities positive unless otherwise stated.

*This is for 1:1 ratio of sub to top, if adding more subs, increase the gain on the mid-high element by 4-5 dB for each additional sub.

6.2 System design principles

Air Motion are supplied in left and right-handed pairs. The recommended configuration is to position the MF and HF horns on the outside, as this gives a wider stereo image.

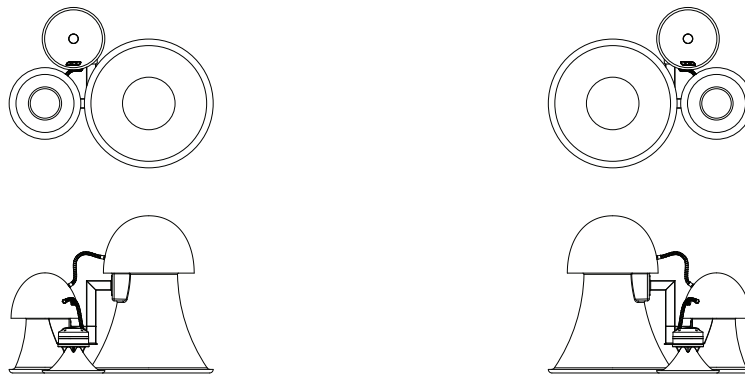


Figure 6.1: Air Motion single pair arrangement

6 System design

For applications requiring wide horizontal coverage, use left and right handed Air Motions in pairs, with the LF horns on the outside and HF horns to the inside at an angle of about 25°. This ensures that the two LF horns sum effectively across their full operating range, and reduces interaction between the HF horns.

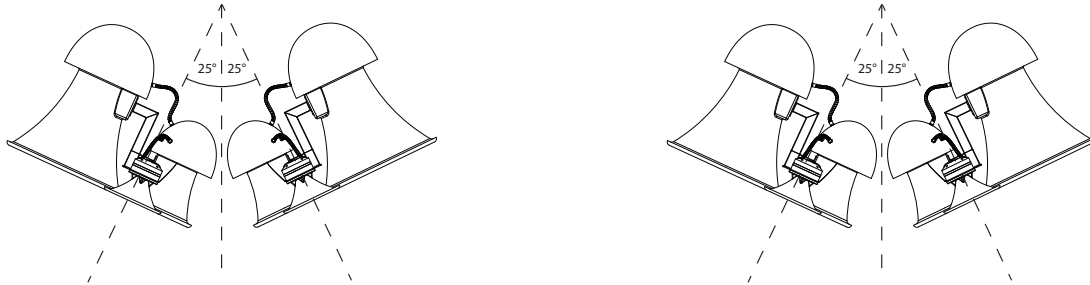


Figure 6.2: Air Motion dual pair arrangement

For temporary installation, a popular system configuration is two stacks consisting of a Stasys Xair on its end, with an Air Motion and ground-stack board. This raises the Air Motion to a useful height above the audience, and the sensitivity of the Stasys Xair matches the Air Motion well. This system is suitable for events of up to 500 people.

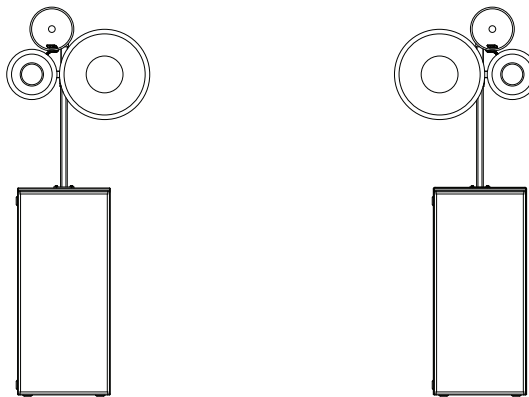


Figure 6.3: Air Motion bass cabinet mounting

For permanent installation, it is recommended to fly Air Motion for more even coverage. This also allows co-located low frequency enclosures in a single block, increasing sensitivity and providing more consistent bass coverage.

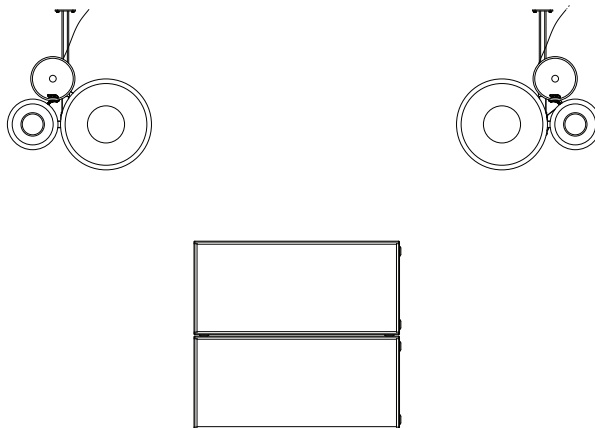


Figure 6.4: Air Motion ceiling mounting

6 System design

6.3 Loudspeaker placement and positioning

When deploying Air Motion, it is important to consider the speakers' vertical position to maximise coverage in the vertical axis. Horizontal loudspeaker dispersion figures dictate the coverage of the loudspeaker, left to right, to the -3 dB points. The same can be said for the vertical dispersion figure, but when applied to a listening area, this figure dictates the audience area coverage front to back.

Vertical dispersion is often overlooked or not assessed properly, resulting in inefficiently deployed loudspeaker systems that require more fill loudspeakers than are necessary to achieve required coverage. Following are some basic guidelines when considering the vertical position of your Air Motion loudspeaker.

With optimum vertical positioning and aiming applied the loudspeaker system can be used at maximum efficiency.

With a point source loudspeaker in this configuration the speaker is placed 2m-4m from the ground, aimed half way to two thirds of the way back from the audience area, as shown in figure 6.6. The applied aiming reduces unwanted reflections from the ceiling and directs the highest energy concentration to the audience area requiring it most. This is the most desirable position for the loudspeakers in this example.

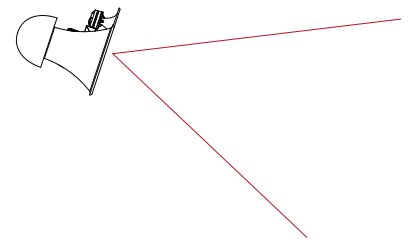


Figure 6.5a: Vertical dispersion (side view)

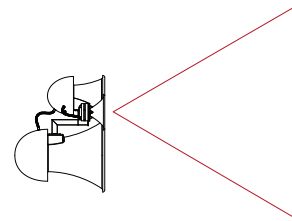


Figure 6.5b: Horizontal dispersion (top view)

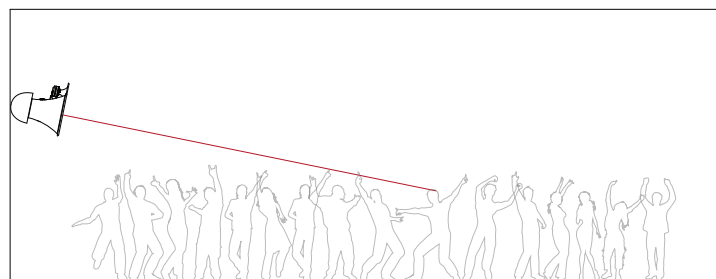


Figure 6.6: Correct loudspeaker placement



6 System design

A multi-point loudspeaker system in a club/bar environment can be very pleasing for the listener. However, it's important that the processes applied to previous examples are still implemented. In figure 6.7 you can see the loudspeakers have been positioned and aimed optimally. When deploying a multi-point loudspeaker system, extra consideration must be taken to counter unwanted room effects. Careful positioning and aiming of loudspeakers will minimise room effects, while maintaining even coverage throughout the audience area.

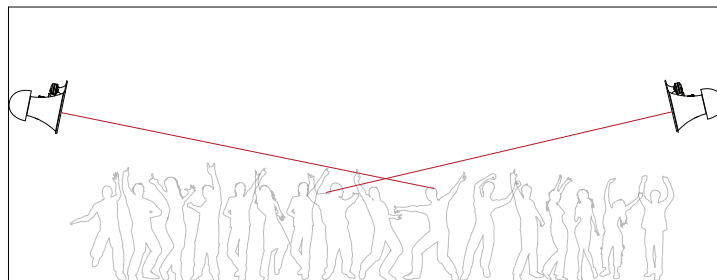


Figure 6.7: Multi point loudspeaker arrangement

In the horizontal plane rotate the Air Motion toward the audience area at an angle such that the centre line of the dispersion from each loudspeaker meets about two thirds of the way towards the rear of the audience area. This will help provide a wider coverage and result in more of the power being used usefully.

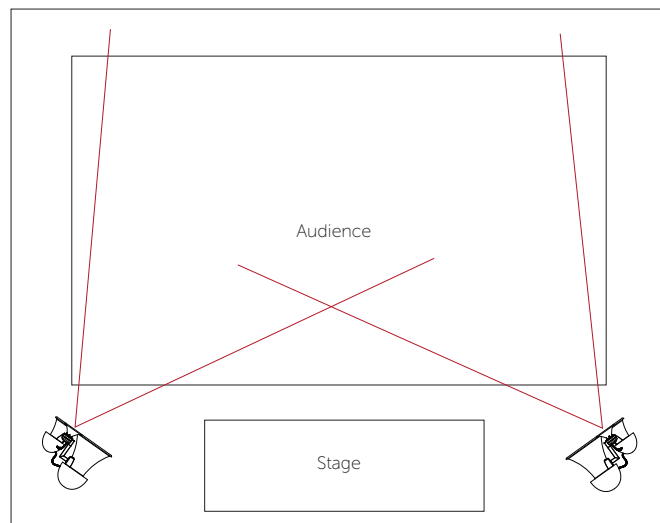


Figure 6.8: Correct horizontal dispersion

6 System design

Avoid directing the Air Motion straight forward. This will result in a proportion of the power being directed towards the walls, creating possible reflective issues, as well as causing a gap in coverage at the centre of the audience area.

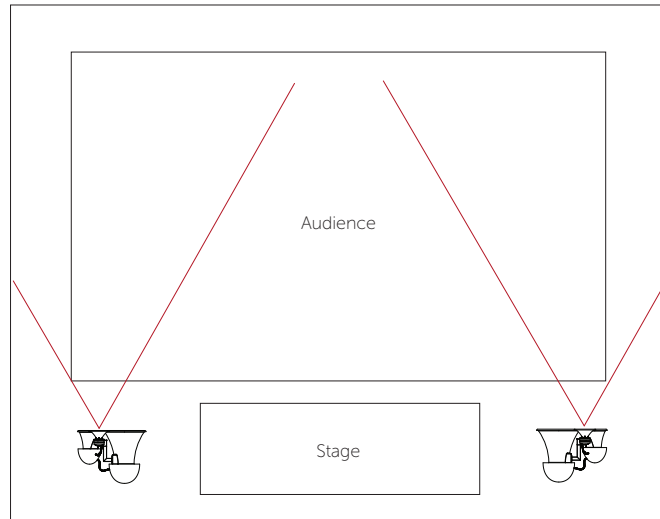


Figure 6.9: Incorrect horizontal dispersion

In figure 6.10 the loudspeakers vertical positioning is too low for the audience area. Mid and high range frequencies are absorbed by the first two rows of people, resulting in poor coverage and potential acoustic issues from room reflections.

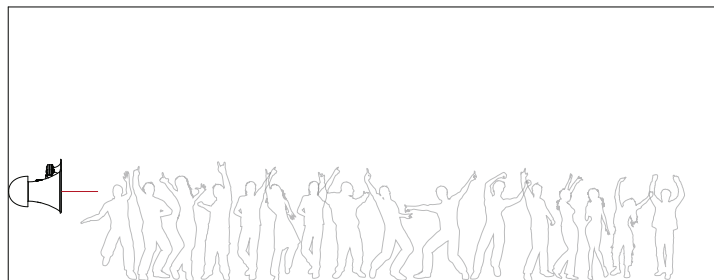


Figure 6.10: Incorrect loudspeaker placement

Figure 6.11 shows the loudspeaker vertical position is optimal for the audience area but the user hasn't applied an aiming angle. In this case, a large portion of energy is directed at the ceiling that could result in reduced intelligibility and unwanted room acoustic characteristics. The shallow angle of attack will also induce refraction issues on a hot dance floor, leading to reduced HF penetration at mid and far distances, again reducing intelligibility and coherence.

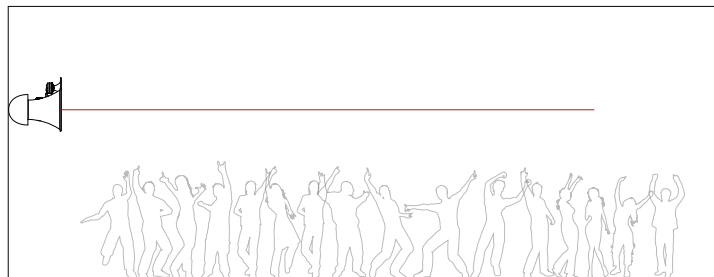


Figure 6.11: Incorrect loudspeaker placement

7 Mounting

Tools required

- 19 mm ratchet spanner/wrench
- 6 mm Allen key

7.1 Installation safety



To avoid mechanical hazards, please note the following:

- Safety regulations vary in different regions. Full compliance with those regulations must be your priority
- Rigging must only be undertaken by fully-qualified and experienced riggers who understand local regulations
- This may include consulting a structural engineer before installation of wall brackets
- Remember that all personnel have a duty of care to themselves, to their assistants, to the venue staff and to the public
- Before lifting any part of the system above head height, check the whole rig for loose tools or other items that may fall and cause injury
- Do not use a telephone (even if hands-free) while rigging. Always concentrate fully on the rigging operation
- Do not rig equipment that is worn, damaged, corroded, mishandled or over-stressed in any way
- Use only Void-approved mounting equipment and accessories.
- Secondary safeties should be provided in all instances where cabinets are flying or fixing overhead and should conform to local regulations

7.2 Mounting the U bracket

Parts required:

- Air series U bracket

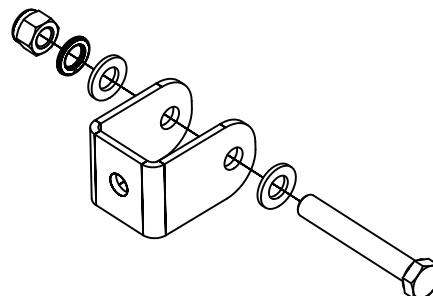


Figure 7.1: Air series U bracket

Step 1:

Lay a soft lint-free rug clear of debris on a work surface to avoid damage to the loudspeaker. Place the Air Motion with the horns face down and remove all four M8 socket cap Allen bolts from the 12" LF driver.

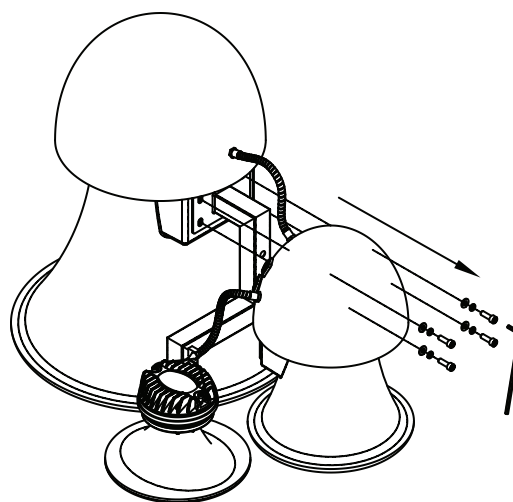


Figure 7.2: M8 socket cap removal

Step 2:

Remove the 12" LF driver from the main bracket taking care not to place any strain on the cable connecting to the 8" mid driver.

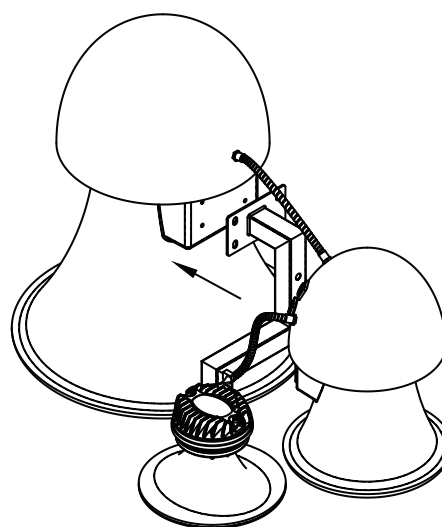


Figure 7.3: M8 LF driver removal

7.2 Mounting the U bracket

Step 3:

Insert the U bracket for the desired orientation. Then insert the M12 x 70 mm bolt through the non-threaded side of the U bracket, 12" LF driver side, and tighten the bolt. Then tighten the M12 Aerotight nut to the 8" mid driver side.

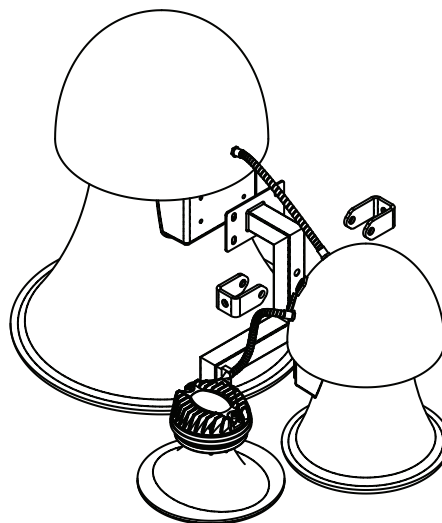


Figure 7.4: U bracket positioning



Note:

The U bracket is threaded for the bolt on one side only. Ensure that the threaded side faces the 8" MHF driver and the non-threaded side faces the 12" LF driver.

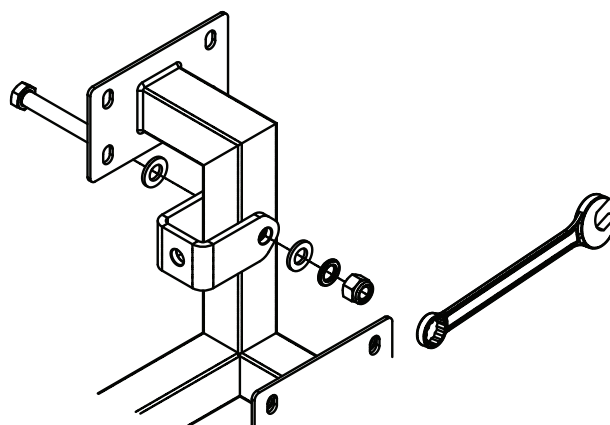


Figure 7.5: M12 x 70 mm bolt insertion

Step 4:

Finally reattach the 12" LF driver with the four M8 socket cap Allen bolts, taking care not to over tighten.

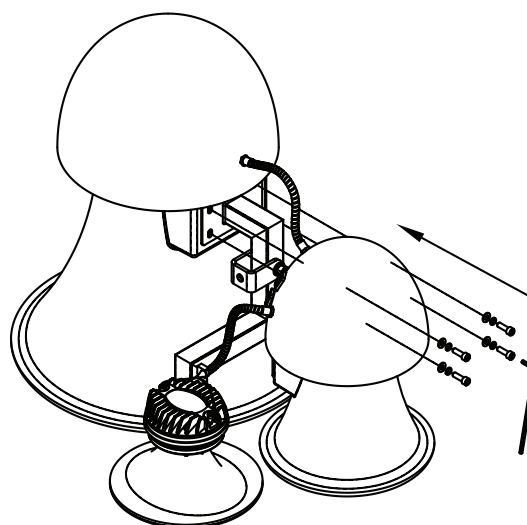


Figure 7.6: M8 socket cap reattaching

7.3 Air Motion ground stacking

Parts required:

- Stasys Xair/X V2
- Stasys 218 mounting board with bracket

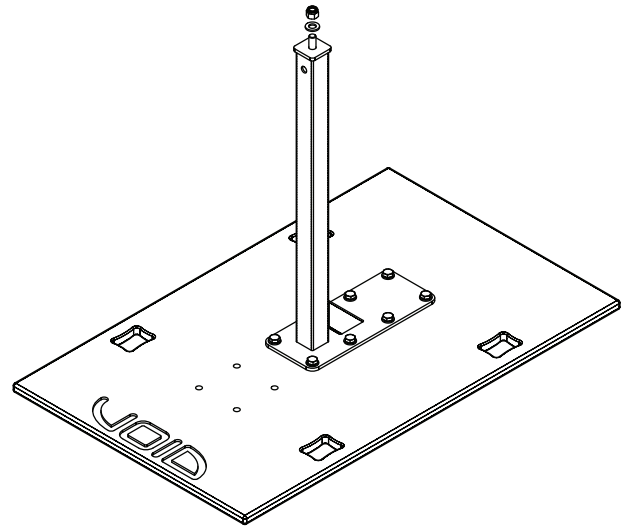


Figure 7.7: Stasys Xair/X V2 or Stasys 218 mounting board with bracket

Step 1:

Remove M12 Aerotight nut from stand using 19 mm ratchet spanner.

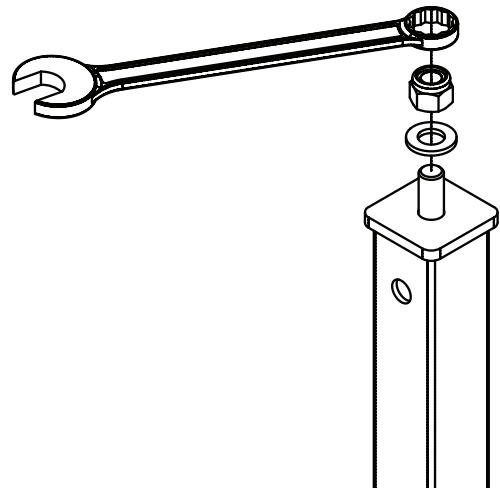


Figure 7.8: M12 Aerotight nut removal



Step 2:

Lift the Air Motion with two people (with one hand on the edge of the horn flare and the other supporting the weight of the drivers at the rear) and position the mounting hole over the stand bolt. For safe handling locations see section 3.

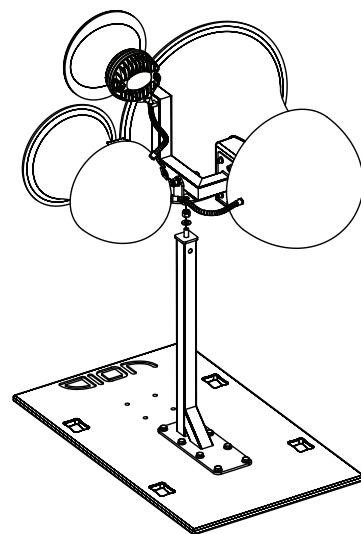


Figure 7.9: Air Motion mounting

7.3 Air Motion ground stacking

Step 3:

Tighten the M12 Aerotight nut using a 19 mm ratchet spanner while another person supports the Air Motion.

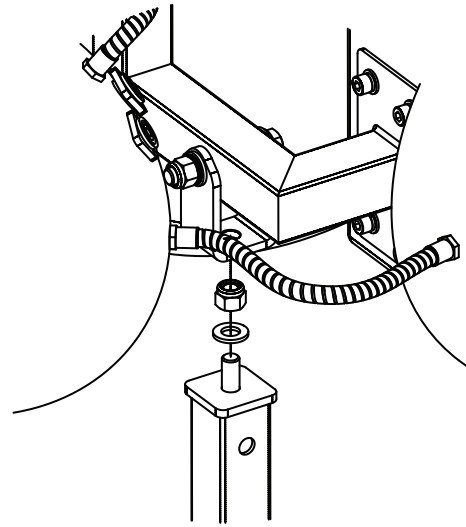


Figure 7.10: M12 Aerotight nut tightening

Step 4:

Confirm the Air Motion is securely fastened to the stand, and lift the assembly onto the bass-cabinet with suitable equipment.



The assembly is heavy; be aware of the high centre of gravity! You will need to tilt the mounting board forward to place one hand under

the board and get a secure grip on the hand hold. Then place your other hand on the horn-flare. Raise the assembly to the bass cabinet and slide until the feet drop into the feet pockets. If the bass cabinet is on an uneven surface, ensure that it is stabilised with wedges before mounting the Air Motion.

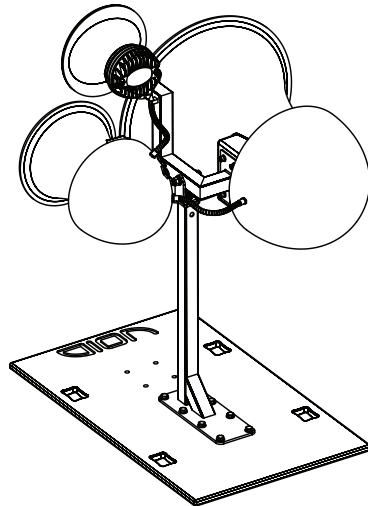


Figure 7.11: Air Motion on mounting board and bracket

Step 5:

Secure with a minimum of one 1 tonne SWL ratchet straps. Ensure the stand is secured from sliding or rotating and on a level surface.

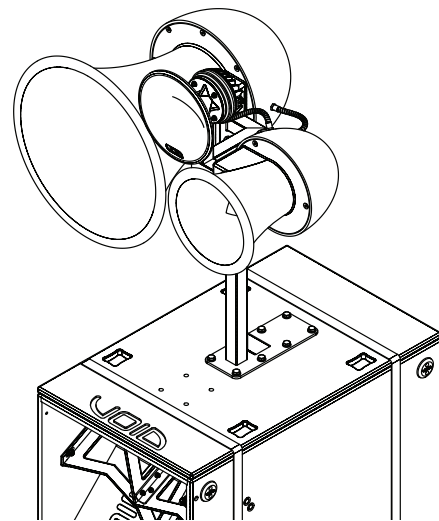


Figure 7.12: Air Motion mounted on bass-cabinet

7.4 Wall mounting

Parts required:

- AMMB wall/ceiling mount
- 8 x wall fixing
- Multi bracket extension

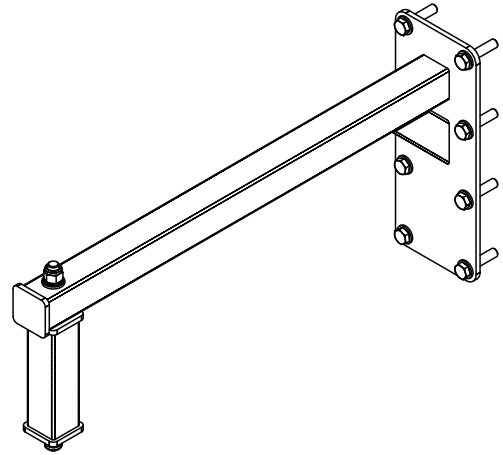


Figure 7.13: AMMB wall/ceiling bracket with extension piece

Step 1:

Begin by fixing the bracket to the wall and then fix the extension piece to the bracket with the M12 Aerotight nut using a 19 mm ratchet spanner.



All eight bolts must be fitted when securing the bracket to the wall. Take care when mounting the bracket to the wall, making sure to use the correct fixing and that the wall can take the load, for example do not attach the bracket to a stud wall.

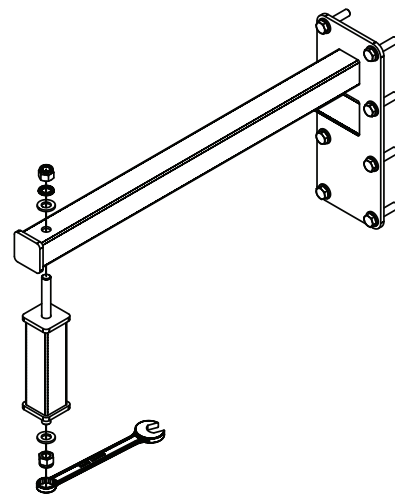


Figure 7.14: Extension piece assembly

Step 2:

Lift the Air Motion into position making sure to hold by the safe lifting positions detailed in section 3.

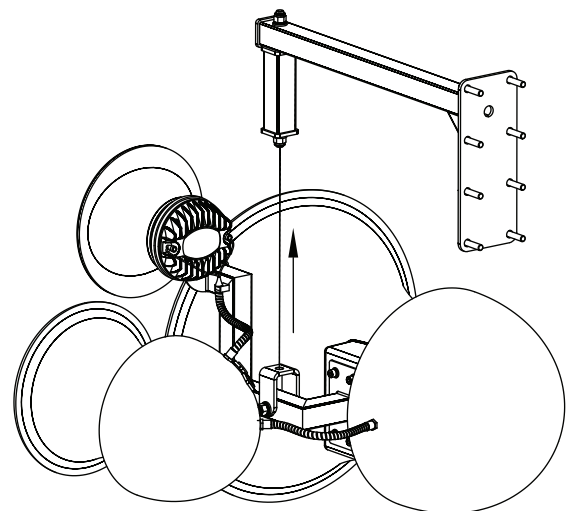


Figure 7.15: Air Motion lifting

7.4 Wall mounting

Step 3:

Attach the U bracket to the extension piece with the M12 Aerotight nut using a 19 mm ratchet spanner.

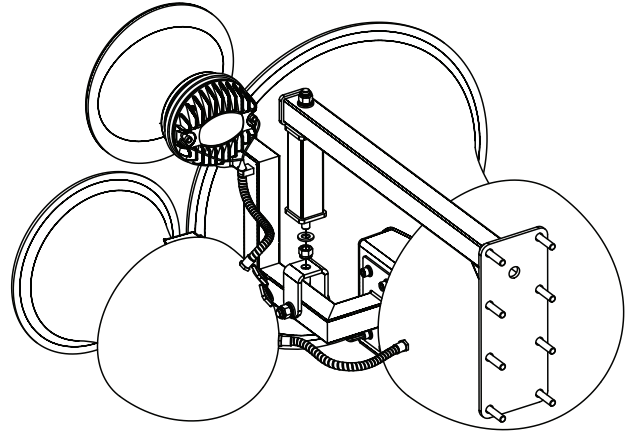


Figure 7.16: Air Motion wall mount

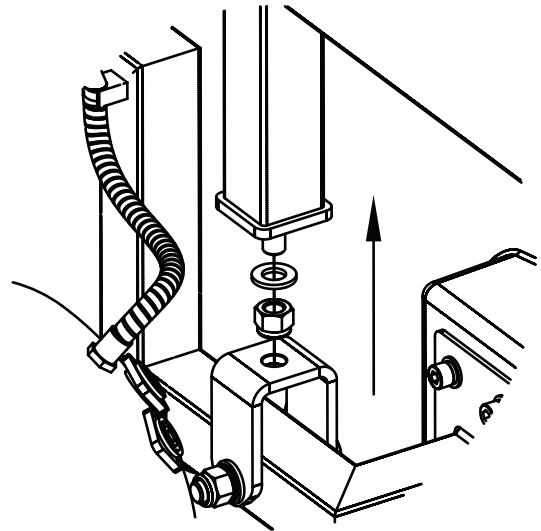


Figure 7.17: Air Motion wall mount detail

Step 4:

With the lifting equipment still in place, attach the secondary bond safety wire (not supplied) to the central box section. The safety wire should be attached to a secondary fixing point, close to where the bracket is fixed to the wall.

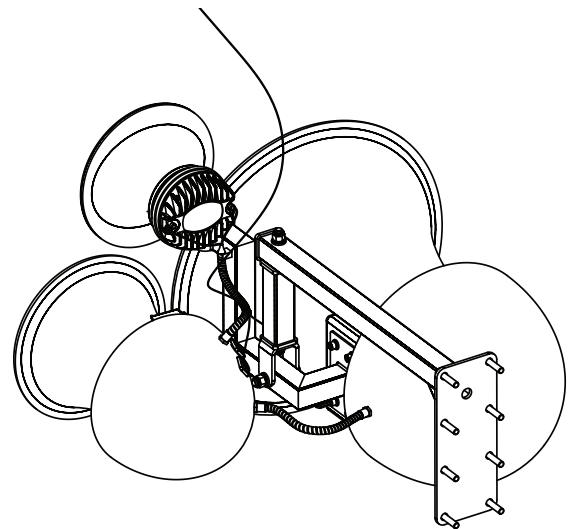


Figure 7.18: Safety wire attachment

7.4 Wall mounting



The safety wire must be rated to 35.4 kg (78 lbs) with a safety factor conforming to local regulations.

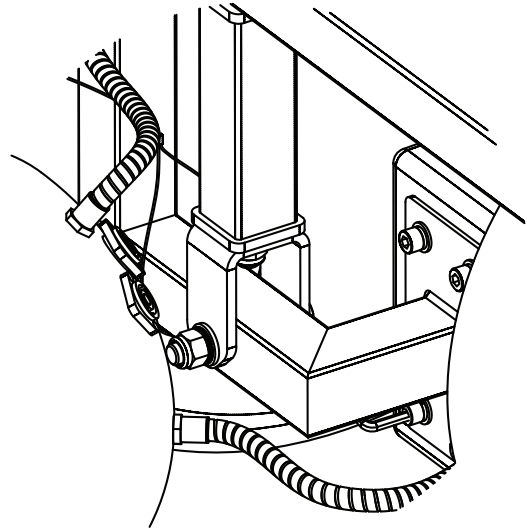


Figure 7.19: Safety wire attachment detail

7.5 Ceiling mounting

Parts required:

- AMMB wall/ceiling bracket (for longer lengths please contact your sales representative)

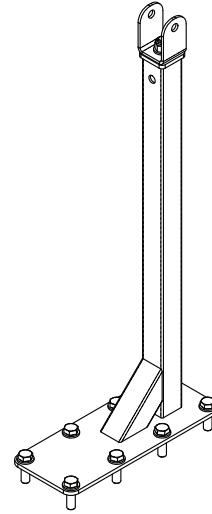


Figure 7.20: AMMB wall/ceiling bracket

Step 1:

Lift the Air Motion into position making sure to hold it by the safe lifting positions detailed in section 3.



All eight bolts must be fitted when securing the bracket to the ceiling.

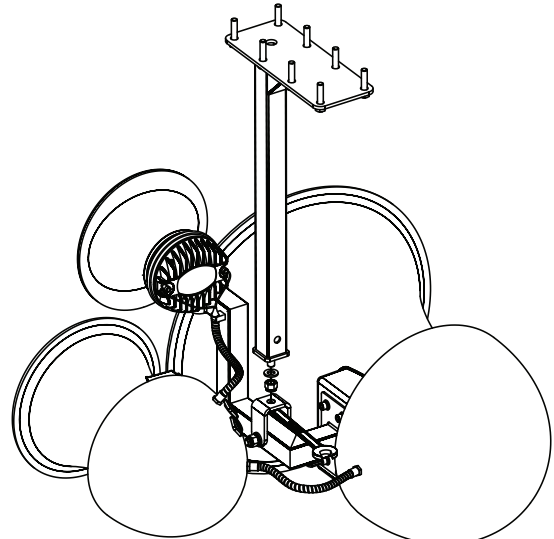


Figure 7.21: Air Motion ceiling mount

Step 2:

Attach the Air Motion to the bracket with the M12 Aerotight nut using a 19 mm ratchet spanner.

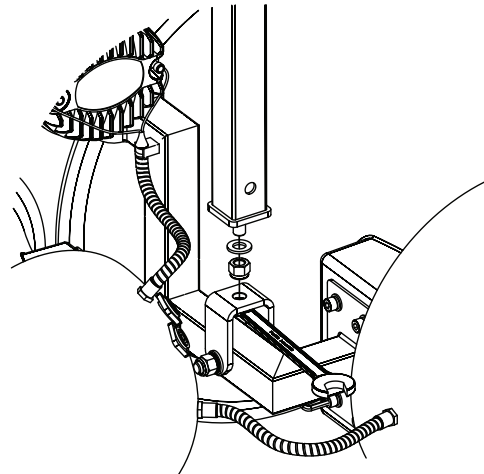


Figure 7.22: Air Motion ceiling mount detail

7.5 Ceiling mounting

Step 4:

Attach the secondary bond (safety wire) to the central box section.

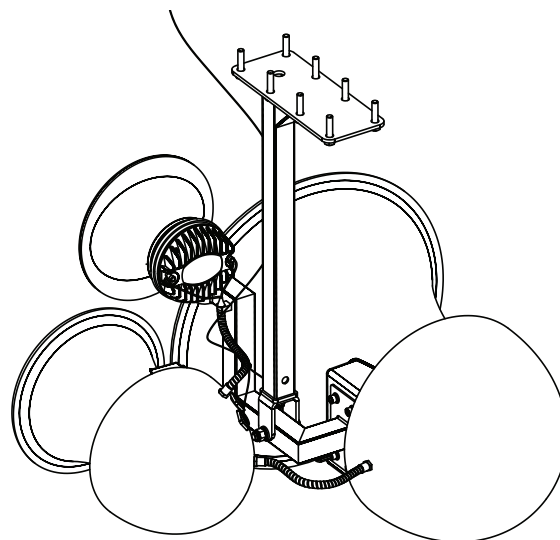


Figure 7.23: Safety wire attachment



The safety wire must be rated to 35.4 kg (78 lbs) with a safety factor conforming to local regulations.

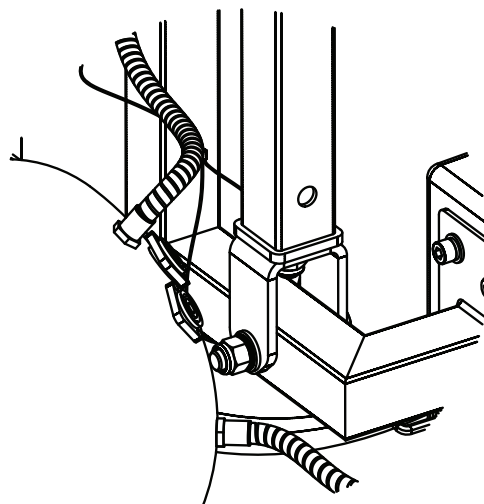


Figure 7.24: Safety wire attachment

7.6 Truss mounting

Parts required:

- AMTB truss mount bracket (to be mounted on truss or 48 mm OD bar).

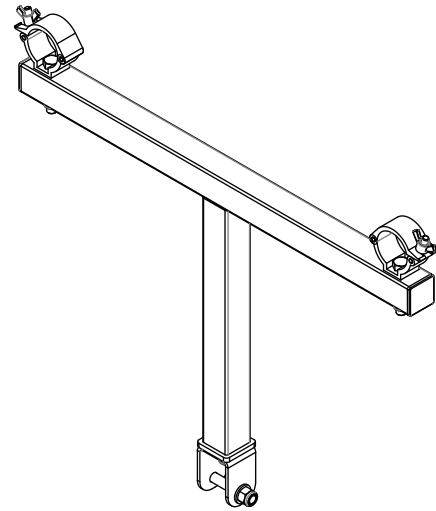


Figure 7.25: AMTB truss mount bracket

Step 1:

Remove the wing-nuts from the couplers and position the bracket in the desired location on the truss.

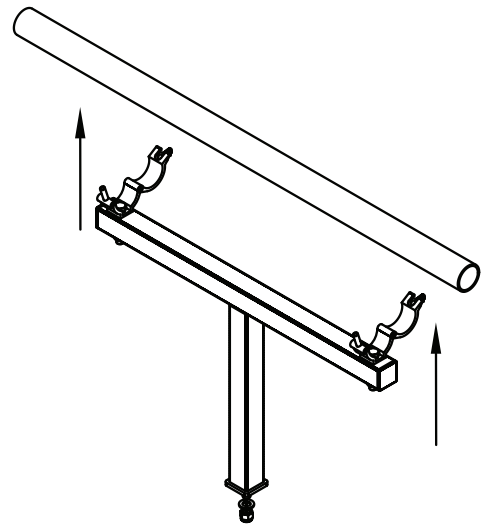


Figure 7.26: Positioning the truss bracket

Step 2:

Tighten the wing-nuts on the couplers so that the bracket is securely fastened. Remove the M12 Aerotight nut using a 19 mm ratchet spanner.

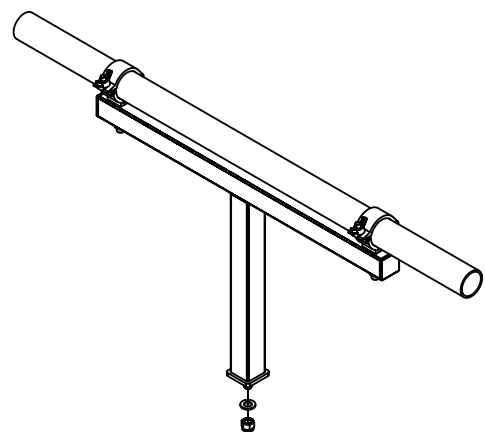


Figure 7.27: Attaching the truss bracket

7.6 Truss mounting

Step 3:

Lift the Air Motion into position making sure to hold it by the safe lifting positions detailed in section 3.

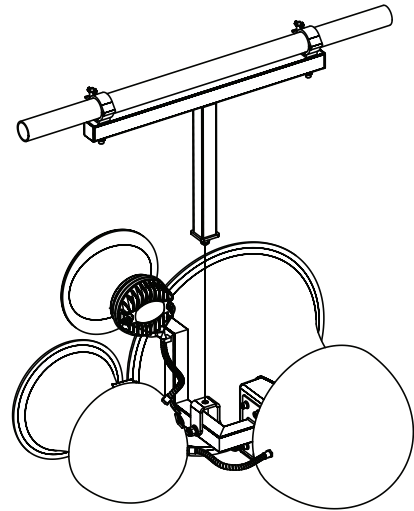


Figure 7.28: Air Motion truss mount

Step 4:

Attach the Air Motion the bracket with the M12 Aerotight nut using a 19 mm ratchet spanner.

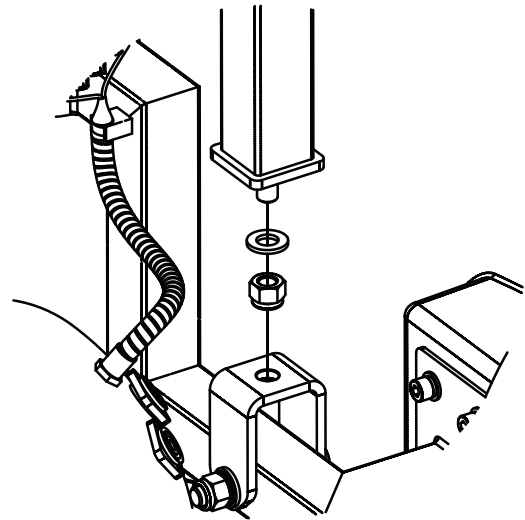


Figure 7.29: Air Motion truss mount detail

Step 5:

Attach the secondary bond (safety wire) to the central box section.



The safety wire must be rated to 35.4 kg (78 lbs) with a safety factor conforming to local regulations.

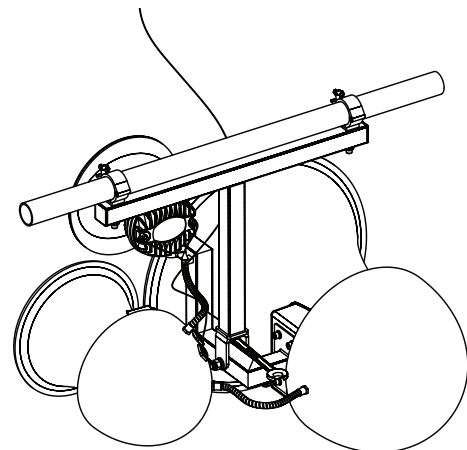


Figure 7.30: Safety wire attachment

7.7 Ceiling pole mounting

Parts required:

- Air series ceiling bracket



All eight bolts must be fitted when securing the bracket to the ceiling.

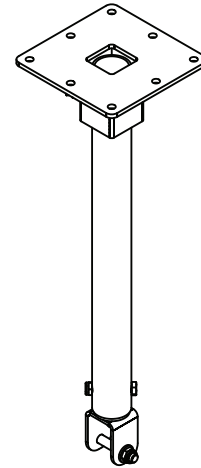


Figure 7.31: Air series ceiling bracket

Step 1:

Lift the Air Motion into position making sure to hold it by the safe lifting positions detailed in section 3.

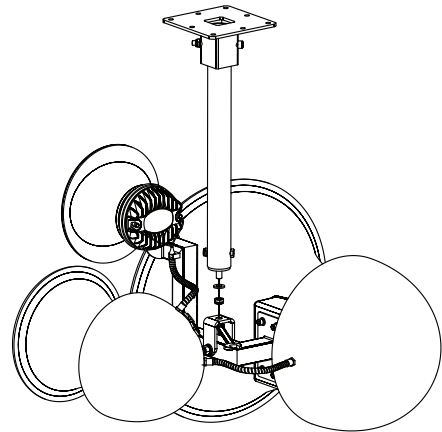


Figure 7.32: Air Motion positioning

Step 2:

Attach the Air Motion to the bracket with the M12 Aerotight nut using a 19 mm ratchet spanner.

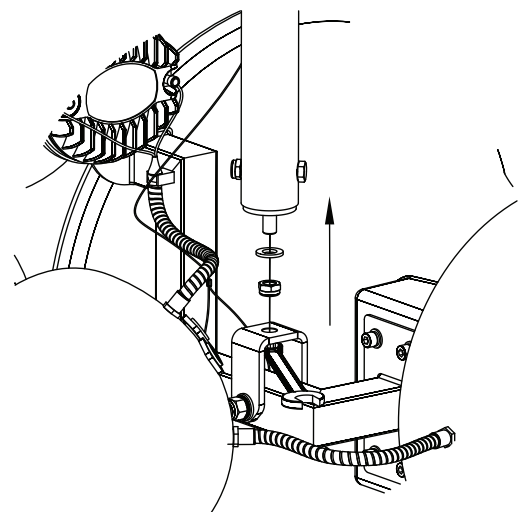


Figure 7.33: Attaching the Air Motion

7.7 Ceiling pole mounting

Step 3:
Attach the secondary bond (safety wire) to the central box section.



The safety wire must be rated to 35.4 kg (78 lbs) with a safety factor conforming to local regulations.

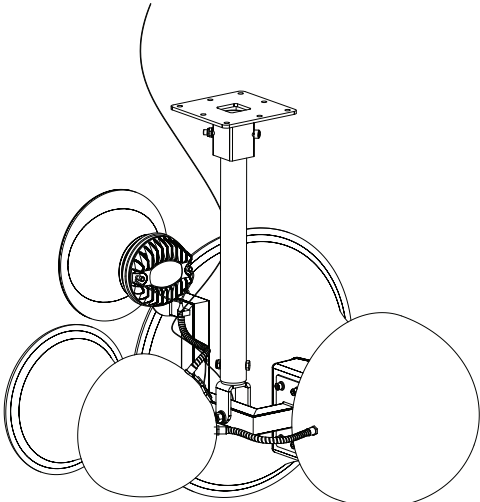


Figure 7.34: Safety wire attachment

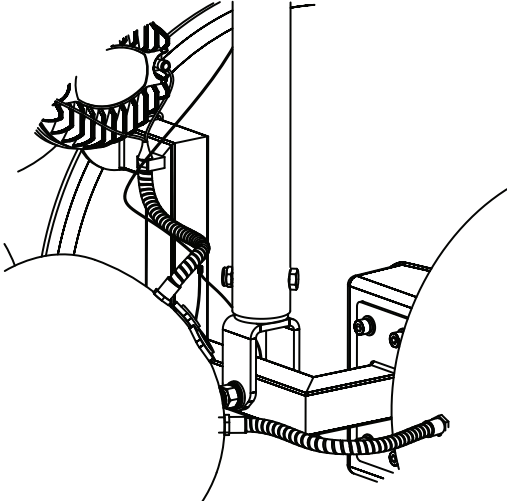


Figure 7.35: Safety wire detail

7.8 Pole mount

Parts required:

- Air series pole mount bracket
- U bracket (see section 7.2)

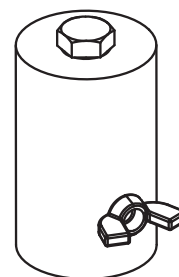


Figure 7.36: Air series pole mount bracket

Step 1:

Remove the M12 bolt from the pole mount bracket.

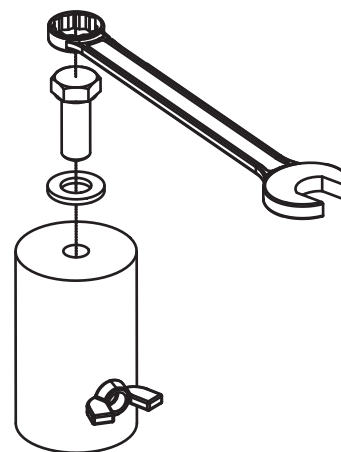


Figure 7.37: Pole mount bracket removal

Step 2:

Mount the pole mount bracket to the U bracket.

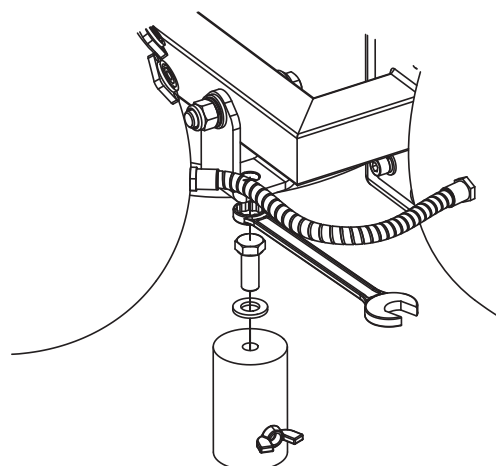


Figure 7.38: Mounting to the U bracket

7.8 Pole mount

Step 3:

Lift the Air Motion loudspeaker into position taking care to follow the safe handling positions detailed in section 3.

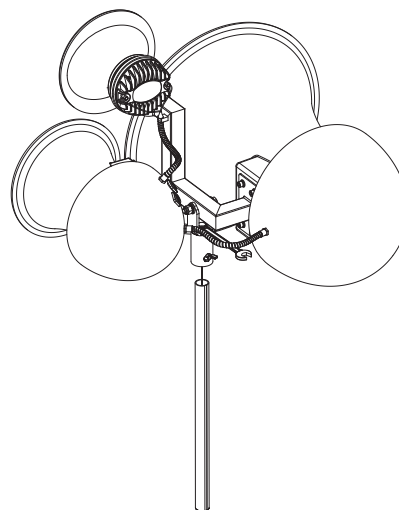


Figure 7.39: Positioning the loudspeaker

Step 4:

Adjust the loudspeaker into the desired position and then tighten the wing nut on the pole mount bracket.

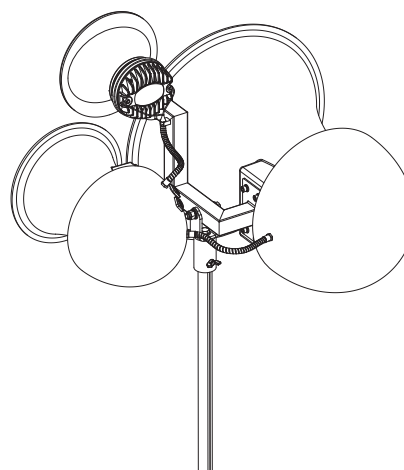


Figure 7.40: Adjusting the loudspeaker position

8 Service

Void Air Motion loudspeakers should only be serviced by a fully-trained technician.



No user serviceable parts inside. Refer servicing to your dealer.

8.1 Return authorisation

Before returning your faulty product for repair, please remember to get an R.A.N. (Return Authorisation Number) from the Void dealer who supplied the system to you. Your dealer will handle the necessary paperwork and repair. Failure to go through this return authorisation procedure could delay the repair of your product.

Note that your dealer will need to see a copy of your sales receipt as proof of purchase so please have this to hand when applying for return authorisation.

8.2 Shipping and packing considerations

- When sending a Void Air Motion loudspeaker to an authorised service centre, please write a detailed description of the fault and list any other equipment used in conjunction with the faulty product.
- Accessories will not be required. Do not send the instruction manual, cables or any other hardware unless your dealer asks you to.
- Pack your unit in the original factory packaging if possible. Include a note of the fault description with the product. Do not send it separately.
- Ensure safe transportation of your unit to the authorised service centre.

9 Appendix

Architectural specifications

The loudspeaker shall be an active, three-way, bi-amped system consisting of a high power 12" (305 mm) isometric conical horn loaded low frequency (LF) transducer with a passive two way, mid-high frequency section consisting of an 8" (200 mm) isometric conical horn loaded mid frequency (MF) transducer and a 1.5" (38.1 mm) diameter exit high frequency (HF) compression driver mounted on a user rotatable horn.

Low frequency (LF), mid and high frequency (MF and HF) transducers shall be enclosed in separate and independent moulded conical fibreglass cabinets with a smooth, high gloss finish of any RAL colour.

The LF and MF transducers shall be constructed on a cast aluminium frame, with a treated paper cone, 63.5 mm (4") for the LF and 50.8 mm (2") for the MF voice coil, wound with copper wires on a high quality voice coil former, for high power handling and long-term reliability. The HF transducer shall project its sound through an elliptic conical waveguide with a 200 mm (8") baffle diameter.

Performance specifications for a typical production unit shall be as follows: the usable on-axis bandwidth of 140 Hz to 20 kHz (± 3 dB), with an average 50° directivity pattern on the vertical axis and 60° on the horizontal one (-6 dB down from on-axis level) from 1 kHz to 12 kHz; maximum SPL of 137 dB peak, measured at 1 m using IEC268-5 pink noise. Crossover points shall be at 140 Hz and 600 Hz for the LF section and 1.7 kHz passive for the MHF. The system shall be powered by its own dedicated power amplification module with DSP management, with the wiring connection via two Neutrik speakON™ NL4; one for input and one for link out to another speaker.

The aesthetically designed enclosures shall be bolted onto a powder-coated steel frame using a minimum of four M8 bolts per horn. This frame aligns the horns in the correct acoustic space to achieve a good directivity across the loudspeaker system's entire spectrum. The frame will incorporate mounting holes for a 'U' bracket fixture for fitment to ceiling and wall mounting brackets. The external dimensions of the enclosures and frame shall be (W) 854 mm x (H) 672 mm x (D) 658 mm (33.6" x 26.5" x 25.9"). Weight shall be 35.4 kg (78 lbs).

The loudspeaker shall be the Void Acoustics Air Motion V2.

North America

Void Acoustics North America
503-854-7134
sales.usa@voidacoustics.com

Head Office

Void Acoustics Research Ltd
Unit 15 Dawkins Road Industrial Estate
Poole
Dorset
BH15 4JY
England

+44 (0) 1202 666 006
info@voidacoustics.com

Registered in England & Wales No. 07533536

www.voidacoustics.com

